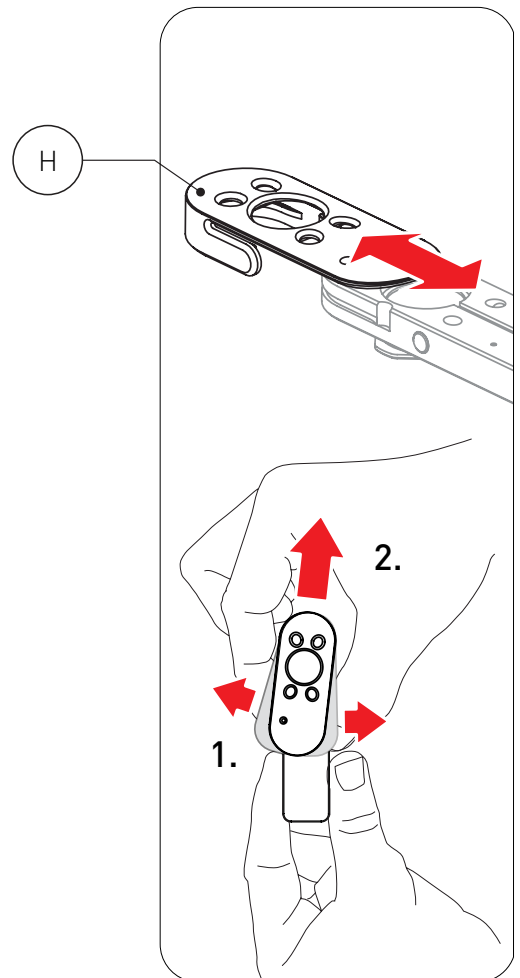
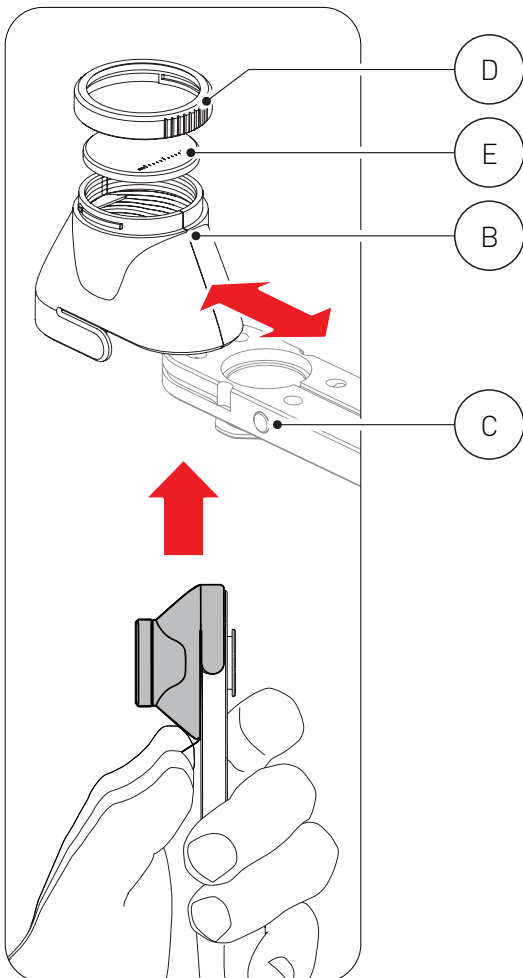
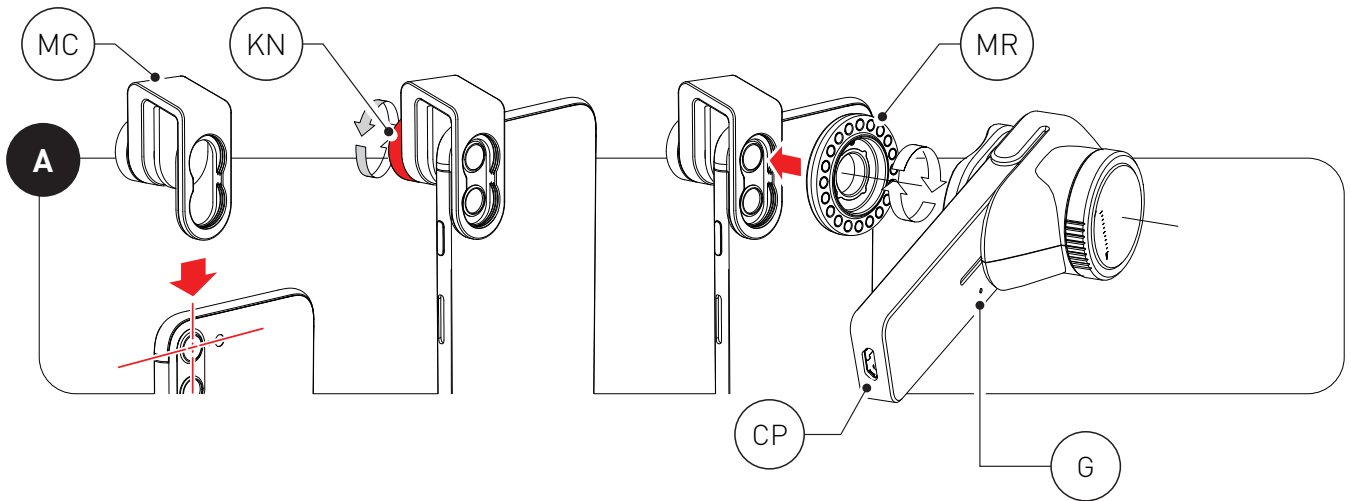


dermlite®DL1



Instructions

Intended Use

This device is intended for medical purposes to illuminate body surfaces. It is used for non-invasive visual examination of intact skin.

This battery-operated product is designed for external examination only within professional healthcare facilities by medical professionals.

Check the correct operation of the device before use! Do not use the device if there are visible signs of damage.

CAUTION: Do not look directly into the LED light. Patients must close their eyes during examinations.

In case of a serious incident with the use of this device, notify DermLite immediately and, if required by local regulations, your national health authority.

CAUTION: Do not use the device in fire or explosive risk area (e.g. oxygen-rich environment).

WARNING: This product can expose you to chemicals including methylene chloride and hexavalent chromium, which are known to the State of California to cause cancer or reproductive toxicity. For more information go to www.P65Warnings.ca.gov.

Electromagnetic Compatibility

This device complies with the EMC Emissions and Immunity level requirements of the standard IEC 60601-1-2:2014. The emission characteristics of this equipment make it suitable for use in professional healthcare environment as well as residential environment (CISPR 11 Class B). This equipment offers adequate protection to radio communication service. In the rare event of interference to the radio communication service, the user might need to take mitigation measures, such as relocating or re-orienting equipment.

WARNING: Use of this equipment adjacent to or stacked with other equipment should be avoided because it could result in improper operation. If such use is necessary, this equipment and the other equipment should be observed to verify that they are operating normally.

WARNING: Use of accessories other than those provided by the manufacturer of this equipment could result in increased electromagnetic emissions or decreased electromagnetic immunity of this equipment and result in improper operation.

WARNING: Portable RF transmitters should be used no closer than 30 cm (12 inches) to any part of the device. Otherwise, degradation of the performance of this equipment could result.

IMPORTANT: Before initial use, please

charge the internal lithium ion battery. See "Battery and Charging" for details.

DermLite DL1 is a mobile device-compatible dermatoscope designed to view skin lesions with high magnification and clarity. Four LEDs provide bright, even illumination, and a cross-polarized spacer provides a glare-free image by cancelling the reflected light from the skin. A high quality, three-element lens configuration, designed to provide excellent results with leading mobile devices, offers superb color correction and reduced image distortion for images rich in surface detail.

Your DL1 is equipped with a magnetic adapter called MagnetiConnect® Clamp ("MCC"), designed for attaching DL1 to most smartphones and tablets. To attach MCC, position the clamp (MC) over the main camera, then secure it by tightening the knob (KN). Attach the threaded magnetic ring and place DL1 on it. With its cross-polarized Spacer (B) and glass contact plate (E) installed, place DL1's contact plate directly on the skin. Applying an immersion fluid onto the skin may improve the image. Push the power button (C) to activate the light; push it again to turn it off. To conserve power, your DL1 is designed to automatically turn off after 2 minutes.

For non-polarized dermoscopy, remove the polarized Spacer with your thumb, then slide the included non-polarized Spacer over the device. Attaching the included cross-polarized Clip (H) turns your DL1 into an ultra-compact dermatoscope that fits into any pocket.

Glass Contact Plate

The unit's glass contact plate (E) may be removed for cleaning or non-contact imaging by rotating the bayonet ring (D) counter-clockwise. Handle the glass faceplate with great care.

Troubleshooting

Please check www.dermlite.com for the most current troubleshooting information. If your device requires servicing, visit www.dermlite.com/service or contact your local DermLite dealer.

Care and Maintenance

CAUTION: No modification of this equipment is allowed.

Your device is designed for trouble-free operation. Repairs shall be made only by qualified service personnel.

Cleaning

The exterior of your device, except the optical parts, may be wiped clean with

isopropyl alcohol (70% vol.) prior to use on a patient. The lens should be treated as high-quality photographic equipment and should be cleaned with standard lens cleaning equipment and protected from harmful chemicals. Do not use abrasive material on any part of the equipment or immerse the device in liquid. Do not autoclave.

Battery and Charging

CAUTION: This device uses a special 3.7V 200 mAh lithium ion battery, which can only be purchased from DermLite or from an authorized DermLite dealer. Do not under any circumstances use another battery other than the one designed for this unit.

Prior to using the DL1, connect the wider connector of the provided USB cable to any IEC 60950-1 compliant (5V) USB port (e.g. of a laptop, desktop computer, or Apple charger) and the other end to the DL1 Micro USB charging port (CP). The charging indicator (G) will illuminate red to indicate that the DL1 is being charged. When fully charged, the indicator turns green and the device will allow up to an hour of continuous operation. If less than 25% battery life remains, the indicator blinks.

DermLite DL1 components include: DL1 dermatoscope (four white LEDs, three-element lens, faceplate with 10mm reticle, battery), cross-polarized spacer with contact plate, non-polarized spacer, polarized clip, charging cable, Magneti-Connect Clamp adapter

Warranty: 5 years for parts and labor. The battery is warranted for 1 year.

Disposal

This device contains electronics and a lithium-ion battery that must be separated for disposal and may not be disposed of with general household waste. Please observe local disposal regulations.

Technical Description

Visit www.dermlite.com/technical or contact your local DermLite dealer.