

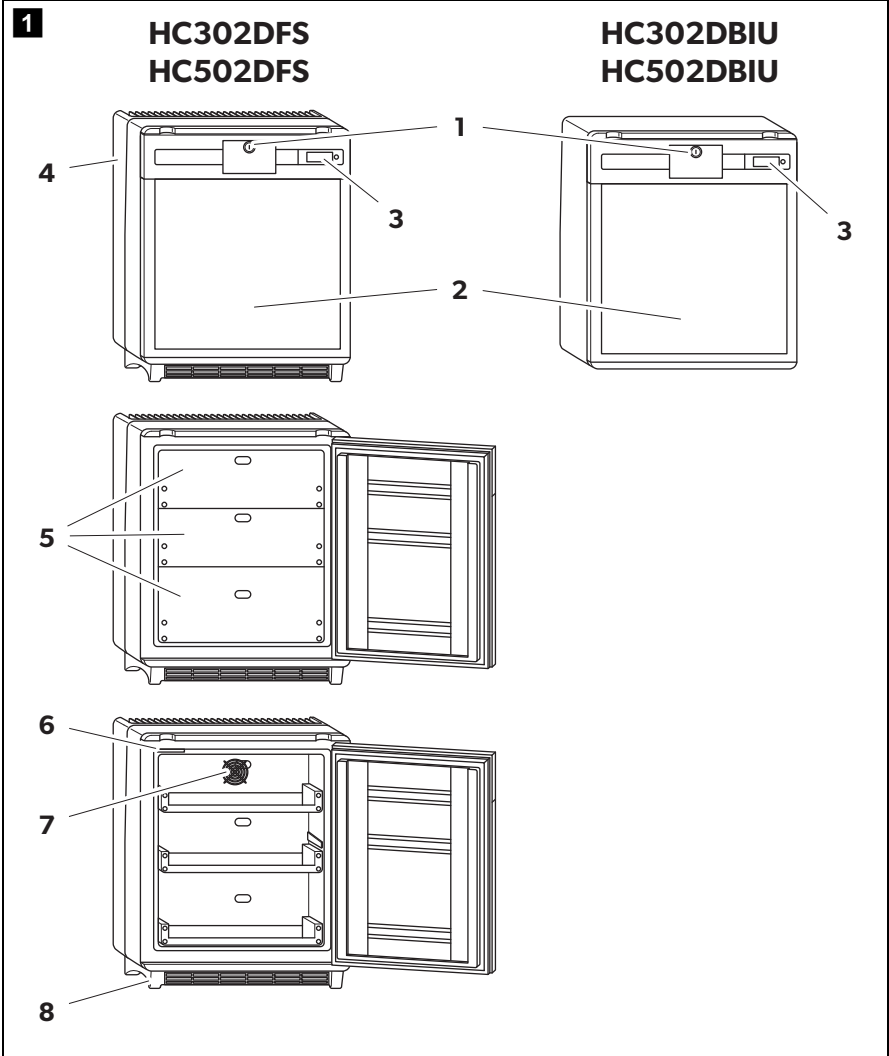


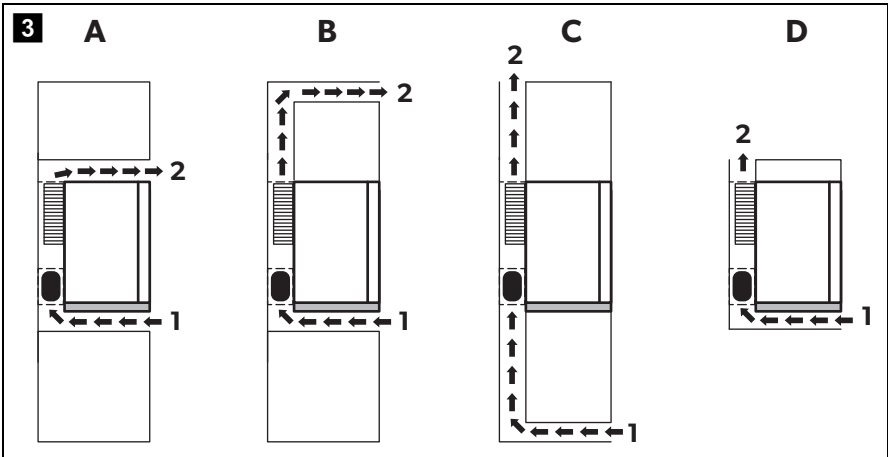
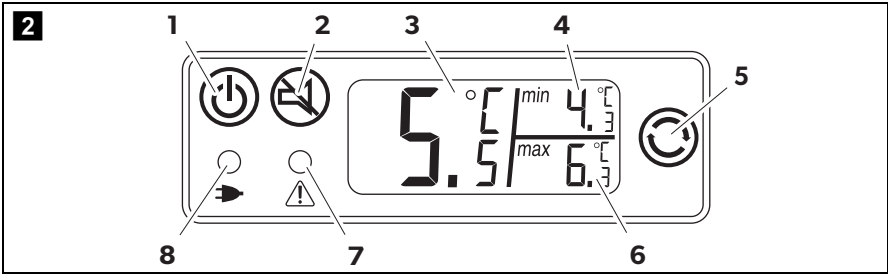
PROFESSIONAL COOLING PHARMACEUTICAL

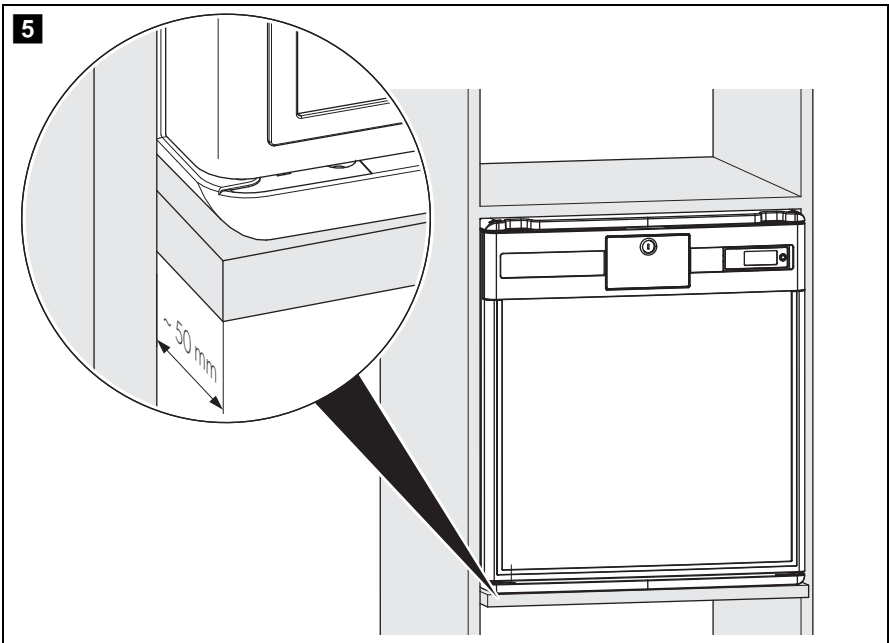
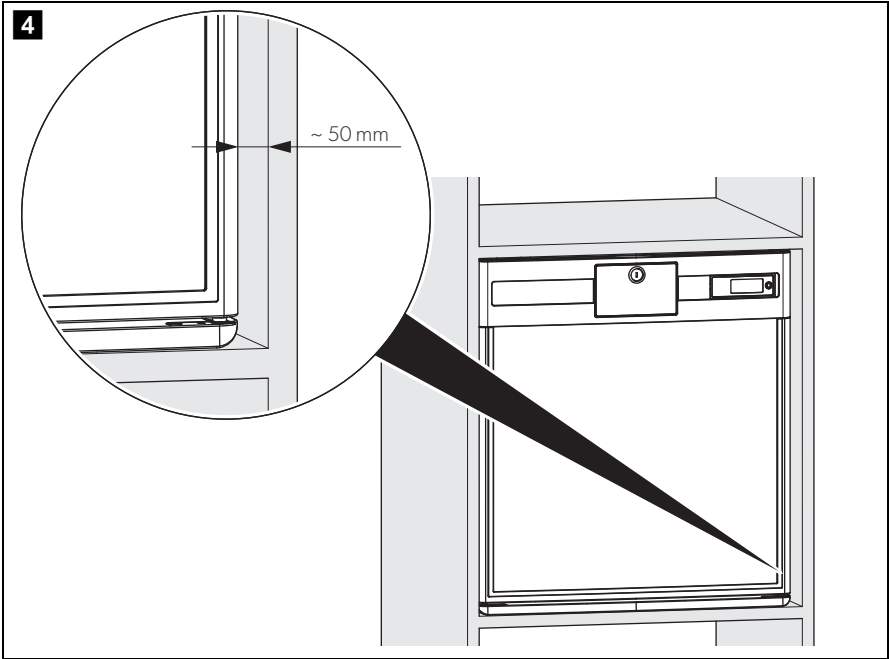


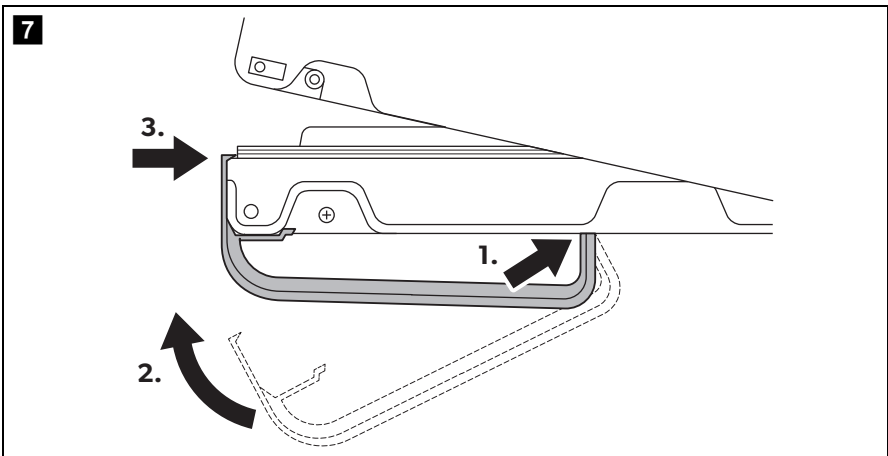
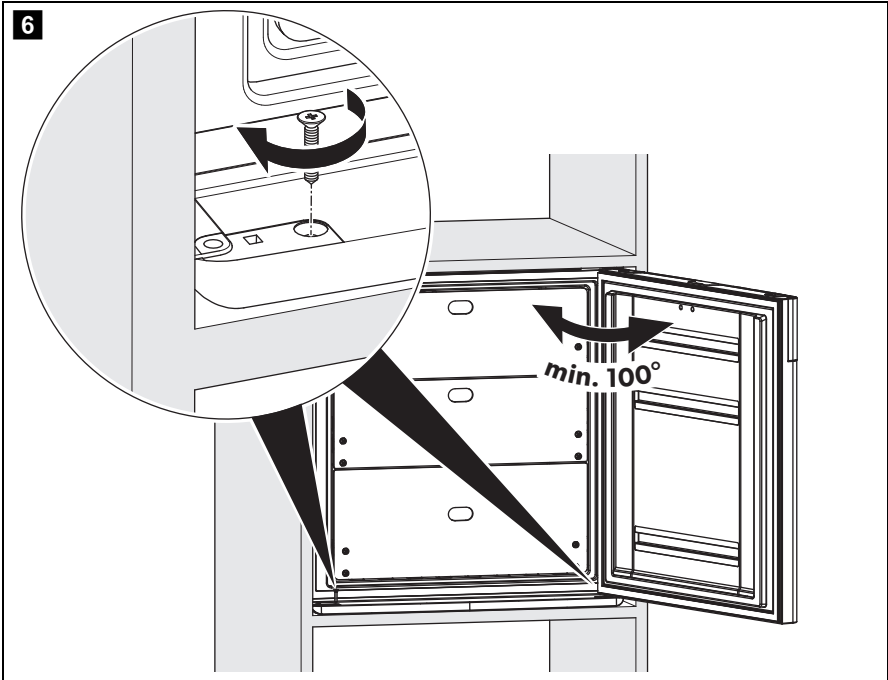
HC302D, HC502D

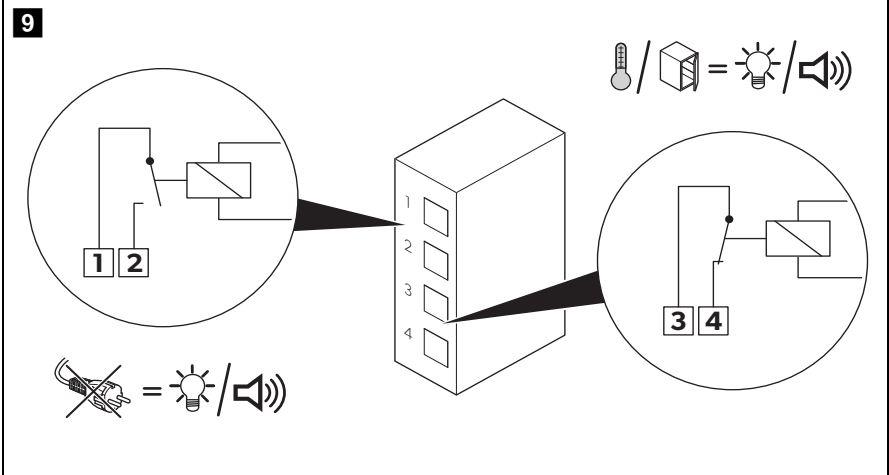
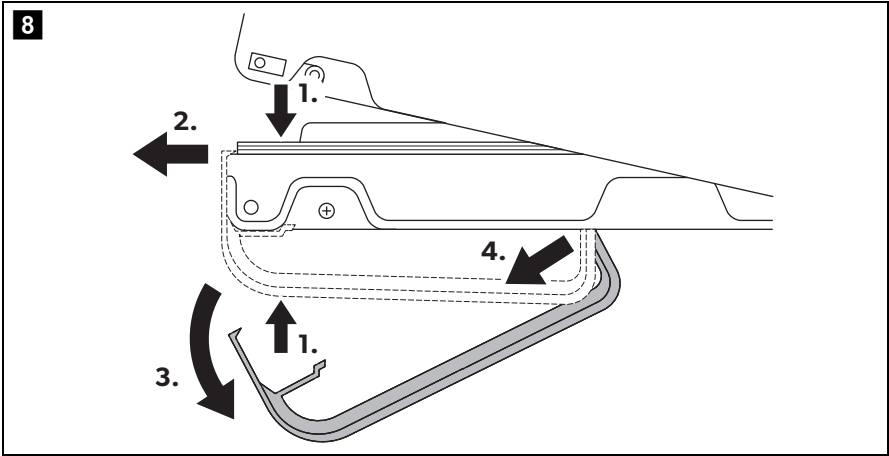
EN	Health care refrigerator Installation and Operating Manual 10
DE	Kühlschrank für medizinische Produkte Montage- und Bedienungsanleitung 29
FR	Réfrigérateur de soins de santé Instructions de montage et de service 47
NL	Medische koelkast Montagehandleiding en gebruiksaanwijzing 66

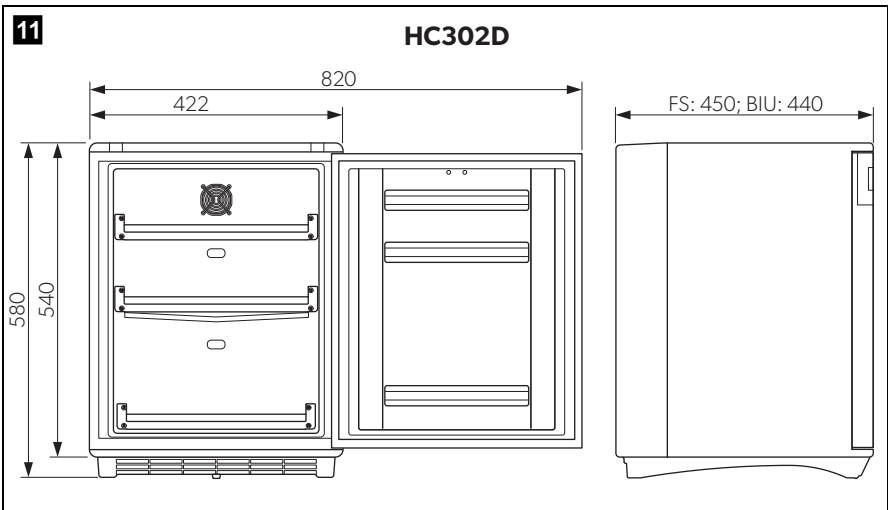
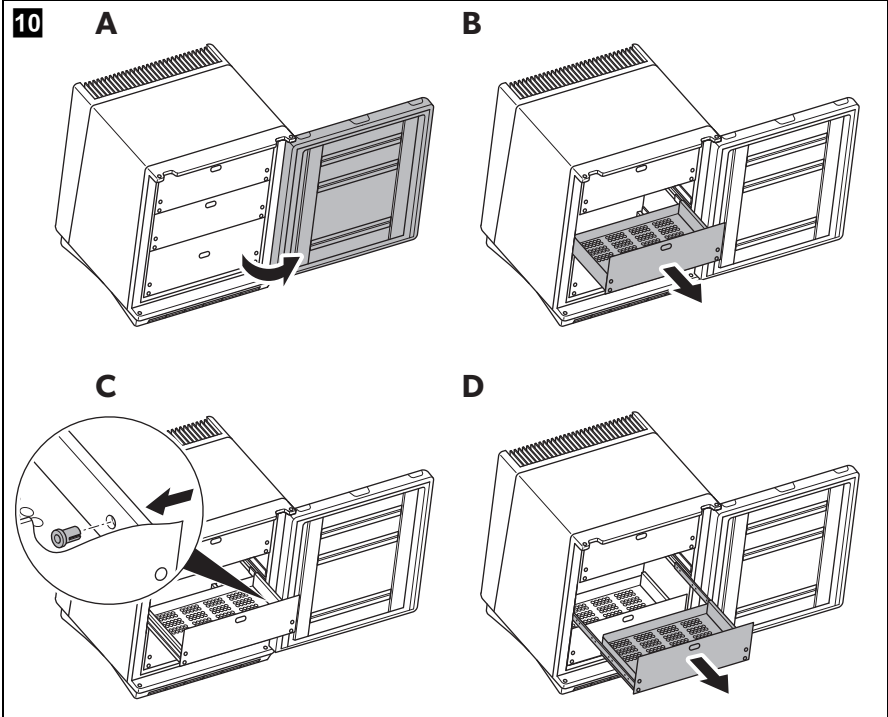


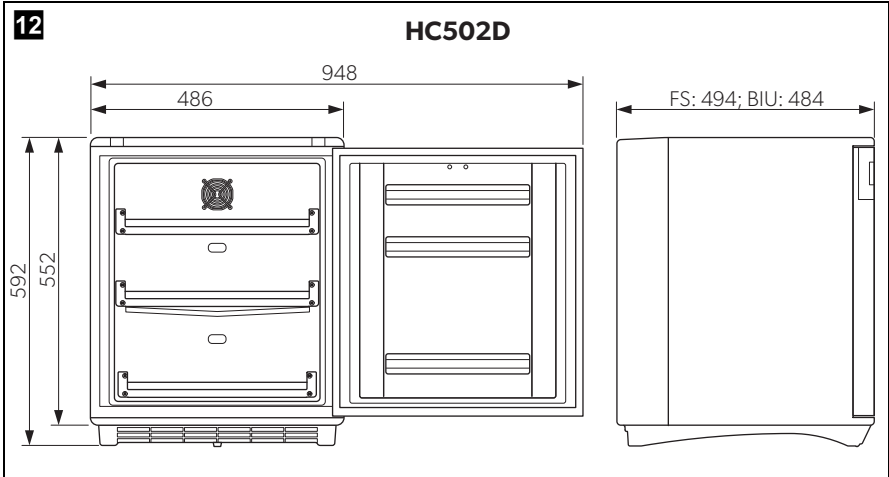












Please read this instruction manual carefully before installation and first use, and store it in a safe place. If you pass on the product to another person, hand over this instruction manual along with it.

Table of contents

1	Explanation of symbols	11
2	Safety instructions	11
3	Scope of delivery	13
4	Intended use	14
5	Technical description	14
6	Installing and connecting the refrigerator	17
7	Using the refrigerator	20
8	Cleaning and maintenance.	25
9	Troubleshooting	26
10	Warranty	27
11	Disposal	27
12	Technical data	28

1 Explanation of symbols

**DANGER!**

Safety instruction: Failure to observe this instruction will cause fatal or serious injury.

**WARNING!**

Safety instruction: Failure to observe this instruction can cause fatal or serious injury.

**CAUTION!**

Safety instruction: Failure to observe this instruction can lead to injury.

**NOTICE!**

Failure to observe this instruction can cause material damage and impair the function of the product.

**NOTE**

Supplementary information for operating the product.

2 Safety instructions

The manufacturer accepts no liability for damage in the following cases:

- Faulty assembly or connection
- Damage to the product resulting from mechanical influences and excess voltage
- Alterations to the product without express permission from the manufacturer
- Use for purposes other than those described in the operating manual

2.1 General safety



WARNING!

- Do not operate the device if it is visibly damaged.
- If this device's power cable is damaged, it must be replaced by customer service or a similarly qualified person in order to prevent safety hazards.
- This device should be repaired by qualified person only. Inadequate repairs may cause serious hazards.
- This device can be used by children aged 8 years or over, as well as by persons with diminished physical, sensory or mental capacities or a lack of experience and knowledge, providing they are supervised, or have been taught how to use the device safely and are aware of the resulting risks.
- Cleaning and user maintenance must not be carried out by children without supervision.
- Children must be supervised to ensure that they do not play with the device.
- Always keep and use the device out of the reach of children under 8 years of age.
- Do not store any explosive substances, such as spray cans with propellants, in the device.



NOTICE!

- Check that the voltage specification on the type plate is the same as that of the power supply.
- Never pull the plug out of the socket by the connection cable.
- The refrigerator is not suitable for storing substances which are caustic or contain solvents.
- Keep the drainage outlet clean at all times.
- Do not open the refrigerant circuit under any circumstances.
- Never transport the device in a horizontal position, so that no oil can leak out of the compressor.
- Make sure that the refrigerant circuit is not damaged during transportation.
- Set up the device in a dry location where it is protected against splashing water.

2.2 Operating the device safely



DANGER!

- Do not touch exposed cables.



CAUTION!

- Before starting the device, ensure that the power supply line and the plug are dry.



NOTICE!

- Do not use electrical devices inside the cooling device unless they are recommended by the manufacturer for that purpose.
- Do not place it near naked flames or other heat sources (heaters, direct sunlight, gas ovens etc.)
- **Danger of overheating!**
Always ensure sufficient ventilation so that the heat generated during operation can dissipate. Make sure that the device is sufficiently far away from walls and other objects so that the air can circulate (fig. **3**, page 4).
- Ensure that the ventilation vents are not covered.
- The device shall not be exposed to rain.
- Never immerse the appliance in water.
- Protect the appliance and power cable against heat and moisture.
- Make sure that the stored substances do not touch the walls of the cooling area.

3 Scope of delivery

Quantity	Description
1	Refrigerator
1	Handle
1	Installation and operating manual

4 Intended use

The refrigerator is designed to store medicines and medicinal products (according to DIN 58345) which should be stored at temperatures between +2 °C and +8 °C.



CAUTION!

The refrigerator is not suitable for the storage of blood.

5 Technical description

5.1 Function description

All materials used in the refrigerator are compatible for use with medicines and medicinal products.

The refrigerant circuit is maintenance-free.

The refrigerator is available as freestanding version (FS) and as built-in version (BIU).

The freestanding version is intended for freestanding use. The cooling unit cover protects the warm parts of the cooling units. The foot frame with ventilation openings ensure sufficient ventilation. By removing the foot frame and cooling unit cover the refrigerator can be used as a built-in version.




The built-in version is intended to be mounted into furniture. It doesn't have a foot frame or cooling unit cover.

The digital thermometer shows and stores the minimum and maximum inner temperatures from the last reset so that you can check whether the medicinal products have been stored at the appropriate temperatures.

5.2 Control elements

No. in fig. 1 , page 3	Explanation
1	Door lock
2	Door
3	Digital thermometer (see fig. 2 , page 4)
4	Cooling unit cover
5	Drawers
6	Interior light
7	Fan
8	Foot frame

Key to fig. **2**, page 4

No.	Explanation
1	Power button 
2	Mute button 
3	Current inner temperature
4	Minimum inner temperature
5	Reset button 
6	Maximum inner temperature
7	LED (red) for alarms
8	LED (green) for power presence

5.3 Safety thermostat

The device is fitted with a safety thermostat. This thermostat switches off the compressor as soon as the inside temperature falls below +2 °C preventing the medicinal products from being harmed by freezing.

5.4 Rechargeable battery

In case the power supply is interrupted, the monitoring functions of the electronics are maintained by an integrated rechargeable battery for at least 12 hours.

The battery is automatically charged if the device is connected to the mains and switched on.

At the first starting up of the device the error message "E3" may appear. The message will disappear as soon as the battery is charged.

If the capacity of the battery is no longer sufficient to take over the monitoring functions the error message "E3" appears on the display.



NOTICE!

The battery should be precautionary replaced every 2 years. This replacement must be carried out by qualified personnel.

5.5 Internal ventilation

The device is fitted with an internal ventilation.

The fan is operating when the door is closed.



NOTICE!

The airflow to the fan must never be impeded by blocking or covering the ventilation slots.

To prevent warm outside air from being unnecessarily sucked in, the fan automatically switches off when the door is opened.

5.6 External alarm function

There are two terminals with two floating contacts on the back of the device that can be used to trigger an additional external alarm (acoustical or visual).

6 Installing and connecting the refrigerator

6.1 Unpacking the refrigerator

- Check that the packaging is not damaged.
- Remove the cardboard packaging.
- Check that the refrigerator is not damaged.

If you find damage on the packaging or at the refrigerator resulting from transport, report it immediately to the transportation firm.

6.2 Installing freestanding version

Observe the following instructions when installing:

- Install the refrigerator so that the warm air produced can easily flow away, either upwards or to the sides.
- Place the refrigerator at the chosen place.
- Leave the refrigerator to stand for at least four hours before you connect it to the power supply so that the refrigerant can flow back into the compressor.

6.3 Installing built-in version



CAUTION!

Ensure the shelf is adequate to carry the total weight of the refrigerator and the medicinal products to be stored.

Observe the following instructions when installing:

- Install the refrigerator so that the warm air produced can easily flow away (either upwards or to the front, fig. **3**, page 4).

Key to fig. **3**, page 4

No.	Explanation
1	Cold intake air
2	Hot waste air

- Make sure that the refrigerator door is able to open at least 100°. Otherwise the drawers cannot be used.
- Check the dimensions of the device (fig. **11**, page 8 or fig. **12**, page 9).
- Place the device according to fig. **4**, page 5 or fig. **5**, page 5.
- Mount the device to the furniture by two screws through the fittings at the bottom (fig. **6**, page 6).
- Leave the device to stand for at least four hours before you connect it to the power supply so that the refrigerant can flow back into the compressor.

6.4 Connecting the refrigerator to the power supply




NOTICE!

- Connect the device to a separate circuit to prevent malfunctioning due to problems with other electrical equipment. Never connect the device to a single socket with other electrical equipment by means of a multi-socket.
- **UK only:** The refrigerator is supplied with a plug fitted with 3 A fuse. In case this fuse has to be changed, a 3 A ASTA approved (BS 1362) fuse must be used.

➤ Connect the plug of the connection cable into the mains.

✓ The green power LED lights up (fig. **2**, page 4).

➤ Press the  button.

✓ The display turns on.

For the first two seconds the display will not show temperature values; it shows "--.-". Then the temperature read from the sensor is shown.

6.5 Mounting and removing the door handle

➤ Mount the handle as shown (fig. **7**, page 6).

➤ Remove the handle as shown (fig. **8**, page 7).

6.6 Installing an external alarm

Use the floating contacts at the back of the device as follows:

- The upper contacts correspond to the power fail alarm (fig. **9** 1 and 2, page 7).
- The lower contacts correspond to the temperature alarm (fig. **9** 3 and 4, page 7).

A voltage between 12 V and 250 V can be connected at the contacts. The maximum load must not exceed 8 A. The minimum power rating is 100 mA/5 V.



NOTE

The external alarm signal can only be switched off by eliminating the cause of the alarm.

7 Using the refrigerator



NOTE

- Before starting your new refrigerator for the first time, you should clean it inside and outside with a damp cloth for hygienic reasons (please refer to the chapter “Cleaning and maintenance” on page 25).
- Always leave some space between the medicinal products in the refrigerator to ensure efficient and even cooling. If the drawers are packed too tightly there may be unacceptable temperature values.
- Keep these operating instructions ready at hand and leave them with the device, so that all users can find out about the functions and safety regulations.

7.1 Energy saving tips

- Choose a well ventilated location which is protected from direct sunlight.
- Do not open the refrigerator more often than necessary.
- Do not leave the doors open for longer than necessary.
- Defrost your refrigerator as soon as a layer of ice forms.

7.2 Starting up the device




CAUTION!

Do not store medicines and medicinal products before the E6 error code has disappeared and the operating temperature range has been reached.



NOTE


The temperature values are shown in °C. This cannot be changed.

- At the first starting up of the device or after switching it off for a long time the display of the digital thermometer (fig. **2**, page 4) shows the current ambient temperature alternating with the error message "E6".
 - The alarm LED will light up but no audible alarm will sound.
 - As soon as the inner temperature reaches the operating temperature range (2 °C – 8 °C) the current temperature is shown.
- Reset the thermometer to avoid a wrong maximum temperature value.
- Press the  button for 5 seconds.

7.3 Display backlight in battery mode

The thermometer display has a blue backlight to make the temperature values easier to read. The display backlight works continuously while the device is connected to the mains.

In battery mode the display backlight will switch off after 2 minutes.

- To activate the display backlight for 3 seconds, briefly press the  button.

7.4 Temperature values

The thermometer stores the values of the minimum and maximum inner temperature since the last reset.

To reset these values:

- Press the  button for 5 seconds.

7.5 Alarms



NOTICE!

- If you are not able to eliminate the problem triggering the alarm, store the medicinal products somewhere else as soon as possible.
- In case of power failure, the inner temperature will raise in 2 hours (hold over time) from 2 °C to 10 °C at an ambient temperature of 25 °C.

There are five special cases when alarms occur:

Alarm event	Number of beeps	Duration of the beeps
Temperature out of range	1 beep / 5 sec	1 sec
Power failure	1 beep / 3 sec	0.5 sec
Inner fan is blocked	n.a.	permanent beeping
Door open for > 20 sec		
Connection problem between display and controller	1 beep / 2 sec	1 sec
Door open for > 60 sec	2 beeps / 2 sec	0,5 sec

The alarm can be muted and unmuted:

- Press the  button.



NOTE

- If another alarm is triggered the alarm signal is automatically unmuted.
- After all alarm events have passed, a muted alarm signal must be manually reset to unmuted.

7.6 Defrosting the refrigerator



NOTE

In high ambient temperatures, the refrigerator may operate continuously, which can lead to excessive formation of frost on the rear wall of the refrigerator compartment.


Humidity can cause frost to form in the interior of the refrigerator or on the vaporiser.

A slight layer of frost or water droplets could form in the interior of the refrigerator if it has been cooling for longer periods. This is normal because the moisture in the air condenses to water when the temperature in the refrigerator drops. The refrigerator is **not** defective.

The condensate flows out through a water drain duct into a water container at the back of the device at top of the compressor, where it evaporates.


It is recommended to defrost the refrigerator every three weeks.

Proceed as follows:

- Switch off the refrigerator: press the  button for more than 5 seconds.
- Disconnect the refrigerator from the mains.
- Remove the drawers (see chapter “Removing the drawers” on page 24).
- Leave the door open.
- After defrosting wipe out the cabinet interior with a clean, damp cloth.
- Assemble the drawers.

7.7 Switching off and storing the refrigerator

If you do not intend to use the refrigerator for a long time, proceed as follows:

- Switch off the refrigerator: press the  button for more than 5 seconds.
- Disconnect the refrigerator from the mains.
- Clean the refrigerator (see chapter “Cleaning and maintenance” on page 25).
- Leave the door slightly open.
This prevents smells from building up.

7.8 Removing the drawers

You can remove the drawers, e.g for cleaning.

Proceed as follows (fig. **10**, page 8):

- Open the door (**A**).
- Pull out the drawer (**B**).
- Push the fixing pins from the outside to the inside (**C**).
- Remove the drawer (**D**).
- Assemble the drawers in reverse order.

8 Cleaning and maintenance



WARNING!

Always disconnect the refrigerator from the mains before you clean and service it.



NOTICE!

- Do not use abrasive cleaning agents or hard objects during cleaning as these can damage the refrigerator.
- Never use hard or sharp tools to remove ice or to free objects frozen onto the device.
- Do not use any mechanical tools or any other tools to speed up the defrosting process.

- Clean the refrigerator regularly and as soon as it becomes dirty with a damp cloth.
- Make sure that no water drips into the seals. This can damage the electronics.
- Wipe the refrigerator dry with a cloth after cleaning.
- Check the condensate drain regularly.
Clean the condensate drain when necessary. If it is blocked the condensate collects on the bottom of the refrigerator.
- Clean the door seals regularly.
- **Freestanding version:** Clean the grid of the condenser and the compressor on the back of the device with a vacuum cleaner regularly.

9 Troubleshooting

Water in or under the refrigerator

Fault	Possible cause	Remedy
Water is leaking into the inside of the refrigerator.	The condensate drain duct is clogged.	Clean the drain.
	Medicines are preventing the water from flowing to the collector.	Make sure that medicines do not touch the rear wall.
Water is leaking onto the floor.	There is too much water in the water container.	Clean the water container.

Display error messages

Error code	Explanation
E0	Display/Control communication failed
E1	NTC1 short circuited or open connection
E2	NTC2 short circuited or open connection
E3	Battery not connected or not OK
E4	Fan not working
E5	Door open for more than 60 seconds
E6	Temperature outside range (lower 2 °C or higher 8 °C)
E7	Mains not connected
E8	Too much difference between NTC1 and NTC2 values

10 Warranty

The statutory warranty period applies. If the product is defective, please contact the manufacturer's branch in your country (see the back of the instruction manual for the addresses) or your retailer.

For repair and guarantee processing, please include the following documents when you send in the device:

- A copy of the receipt with purchasing date
- A reason for the claim or description of the fault

11 Disposal



WARNING! Children beware!

Before disposing of your old refrigerator:

- Dismantle the drawers.
- Leave the drawers in the refrigerator so that children cannot climb inside.



NOTICE!


An insulating gas is used in the device (see type plate). Check with the relevant local government authority or your local waste disposal company about proper disposal and make sure that the device and all materials are disposed of professionally.

- Place the packaging material in the appropriate recycling waste bins wherever possible.



If you wish to finally dispose of the product, ask your local recycling centre or specialist dealer for details about how to do this in accordance with the applicable disposal regulations.

12 Technical data

	HC 302D	HC 502D
Gross capacity:	33 l	49 l
Storage capacity:	22 l	35 l
Connection voltage:	220 – 240 V~	
Energy consumption:	0.381 kWh/24 h	0.423 kWh/24 h
Power consumption:	0.54 A	
Cooling capacity:	+2 °C to +8 °C	
Operation ambient range:	+10 °C to +35 °C	
Hold over time (2 °C to 10 °C) at 25 °C:	2 hours	
Refrigerant:	R134a	
Refrigerant quantity:	38 g	
CO ₂ equivalent:	0.054 t	
Global warming potential (GWP):	1430	
Dimensions:	see fig. 11 , page 8	see fig. 12 , page 9
Weight:	approx. 20 kg	approx. 22 kg
Inspection/certification:		

Contains fluorinated greenhouse gases

Hermetically sealed equipment

Complies with the following EEC directives:

- LVD directive: 2006/95/EC
- EMC directive: 2004/108/EC
- CE directive: 93/68/EC
- RoHS directive: 2002/95/EC
- WEEE directive: 2002/96/EC
- Directive DIN 58345: 2007-09

Bitte lesen Sie diese Anleitung vor Einbau und Inbetriebnahme sorgfältig durch und bewahren Sie sie auf. Geben Sie sie im Falle einer Weitergabe des Produktes an den Nutzer weiter.

Inhalt

1	Erklärung der Symbole	30
2	Sicherheitshinweise	30
3	Lieferumfang	32
4	Bestimmungsgemäßer Gebrauch	33
5	Technische Beschreibung	33
6	Kühlschrank aufstellen und anschließen	36
7	Den Kühlschrank benutzen.....	38
8	Reinigung und Pflege	43
9	Fehlerbehebung	44
10	Gewährleistung.....	45
11	Entsorgung	45
12	Technische Daten	46

1 Erklärung der Symbole



GEFAHR!

Sicherheitshinweis: Nichtbeachtung führt zu Tod oder schwerer Verletzung.



WARNUNG!

Sicherheitshinweis: Nichtbeachtung kann zu Tod oder schwerer Verletzung führen.



VORSICHT!

Sicherheitshinweis: Nichtbeachtung kann zu Verletzungen führen.



ACHTUNG!

Nichtbeachtung kann zu Materialschäden führen und die Funktion des Produktes beeinträchtigen.



HINWEIS

Ergänzende Informationen zur Bedienung des Produktes.

2 Sicherheitshinweise

Der Hersteller übernimmt in folgenden Fällen keine Haftung für Schäden:

- Montage- oder Anschlussfehler
- Beschädigungen am Produkt durch mechanische Einflüsse und Überspannungen
- Veränderungen am Produkt ohne ausdrückliche Genehmigung vom Hersteller
- Verwendung für andere als die in der Anleitung beschriebenen Zwecke

2.1 Grundlegende Sicherheit



WARNUNG!

- Wenn das Gerät sichtbare Beschädigungen aufweist, dürfen Sie es nicht in Betrieb nehmen.
- Wenn das Netzkabel dieses Gerätes beschädigt ist, muss es durch einen Kundendienst oder eine ähnlich qualifizierte Person ersetzt werden, um Gefährdungen zu vermeiden.

- Reparaturen an diesem Gerät dürfen nur von Fachkräften durchgeführt werden. Durch unsachgemäße Reparaturen können erhebliche Gefahren entstehen.
- Dieses Gerät kann von Kindern ab 8 Jahren und darüber sowie von Personen mit verringerten physischen, sensorischen oder mentalen Fähigkeiten oder Mangel an Erfahrung und Wissen benutzt werden, wenn sie beaufsichtigt oder bezüglich des sicheren Gebrauchs des Gerätes unterwiesen wurden und die daraus resultierenden Gefahren verstehen.
- Reinigung und benutzerseitige Wartung darf nicht durch unbeaufsichtigte Kinder erfolgen.
- Kinder sollten beaufsichtigt werden um sicherzustellen, dass sie nicht mit dem Gerät spielen.
- Das Gerät grundsätzlich außerhalb der Reichweite von Kindern unter 8 Jahren benutzen und aufbewahren.
- Lagern Sie keine explosionsfähigen Stoffe wie z. B. Sprühdosen mit brennbarem Treibgas im Gerät.

**ACHTUNG!**

- Vergleichen Sie die Spannungsangabe auf dem Typenschild mit der vorhandenen Energieversorgung.
- Ziehen Sie den Stecker nie am Anschlusskabel aus der Steckdose.
- Der Kühlschrank ist nicht geeignet für die Lagerung ätzender oder lösungsmittelhaltiger Stoffe.
- Halten Sie die Abflussöffnung stets sauber.
- Öffnen Sie auf keinen Fall den Kühlkreislauf.
- Transportieren Sie das Gerät niemals in waagerechter Stellung, damit kein Öl aus dem Kompressor auslaufen kann.
- Achten Sie beim Transport darauf, den Kühlkreislauf nicht zu beschädigen.
- Stellen Sie das Gerät an einem trockenen und gegen Spritzwasser geschützten Platz auf.

2.2 Sicherheit beim Betrieb des Gerätes



GEFAHR!

- Keine freiliegenden Kabel berühren.



VORSICHT!

- Achten Sie vor Inbetriebnahme darauf, dass Zuleitung und Stecker trocken sind.



ACHTUNG!

- Benutzen Sie keine elektrischen Geräte innerhalb des Kühlgerätes, außer wenn diese Geräte vom Hersteller dafür empfohlen werden.
- Stellen Sie das Gerät nicht in der Nähe von offenen Flammen oder anderen Wärmequellen (Heizung, starke Sonneneinstrahlung, Gasöfen usw.) ab.
- **Überhitzungsgefahr!**
Achten Sie stets darauf, dass beim Betrieb entstehende Wärme ausreichend abgeführt werden kann. Sorgen Sie dafür, dass das Gerät in ausreichendem Abstand zu Wänden oder Gegenständen steht, sodass die Luft zirkulieren kann (Abb. **3**, Seite 4).
- Stellen Sie sicher, dass die Lüftungsöffnungen nicht abgedeckt sind.
- Das Gerät darf keinem Regen ausgesetzt werden.
- Das Gerät darf nie in Wasser getaucht werden.
- Schützen Sie das Gerät und das Netzkabel vor Hitze und Nässe.
- Sorgen Sie dafür, dass die darin aufbewahrten Substanzen nicht die Wände des Kühlbereichs berühren.

3 Lieferumfang

Anzahl	Beschreibung
1	Kühlschrank
1	Tragegriff
1	Einbau- und Bedienungsanleitung

4 Bestimmungsgemäßer Gebrauch

Der Kühlschrank ist (gemäß DIN 58345) für die Lagerung von Medikamenten und Medizinprodukten ausgelegt, die bei Temperaturen zwischen +2 °C und +8 °C gelagert werden sollten.



VORSICHT!

Der Kühlschrank ist nicht für die Lagerung von Blut geeignet.

5 Technische Beschreibung

5.1 Funktionsbeschreibung

Alle im Kühlschrank verwendeten Materialien sind unbedenklich für Medikamente und Medizinprodukte.

Der Kühlkreislauf ist wartungsfrei.

Der Kühlschrank ist erhältlich in freistehender (FS) oder Einbauversion (BIU).

Die freistehende Version ist für freistehenden Gebrauch vorgesehen. Die Kühl-aggregatabdeckung schützt die warmen Teile der Kühlaggregate. Das Fußgestell mit Ventilationsöffnungen gewährleistet ausreichende Lüftung. Nach Entfernen des Fußgestells und der Kühlaggregatabdeckung kann der Kühlschrank als Einbauversion genutzt werden.




Die freistehende Version ist für den Einbau in Möbel vorgesehen. Sie besitzt kein Fußgestell oder Kühlaggregatabdeckung.

Das Digitalthermometer zeigt die minimalen und maximalen Innentemperaturen seit der letzten Rücksetzung an und speichert sie. Auf diese Weise können Sie kontrollieren, ob die Medizinprodukte bei geeigneter Temperatur gelagert wurden.

5.2 Bedienelemente

Nr. in Abb. 1 , Seite 3	Erläuterung
1	Türverriegelung
2	Tür
3	Digitalthermometer (siehe Abb. 2 , Seite 4)
4	Kühlaggregatabdeckung
5	Schubladen
6	Innenbeleuchtung
7	Gebläse
8	Fußgestell

Legende für Abb. **2**, Seite 4

Nr.	Erläuterung
1	Ein-/Aus-Taster 
2	MUTE-Taster (Stumm) 
3	Aktuelle Innentemperatur
4	Minimale Innentemperatur
5	Reset-Taster 
6	Maximale Innentemperatur
7	LED (rot) für Warnungen
8	LED (grün) für vorhandene Stromversorgung

5.3 Sicherheitsthermostat

Das Gerät ist mit einem Sicherheitsthermostat ausgerüstet. Dieser Thermostat schaltet den Kompressor ab, sobald die Innentemperatur unter +2 °C fällt, wodurch eine Schädigung der Medizinprodukte durch Gefrieren verhindert wird.

5.4 Akku

Im Fall einer Unterbrechung der Stromversorgung werden die elektronischen Überwachungsfunktionen für mindestens 12 Stunden von einem eingebauten Akku gewährleistet.

Der Akku wird automatisch aufgeladen, wenn das Gerät an die Hauptstromversorgung angeschlossen und eingeschaltet ist.

Bei erstmaliger Inbetriebnahme des Geräts kann die Fehlermeldung „E3“ auftreten. Diese Fehlermeldung verschwindet, sobald der Akku geladen ist.

Wenn die Fehlermeldung „E3“ auf dem Display erscheint, besitzt der Akku keine ausreichende Kapazität mehr, um die Überwachungsfunktionen zu gewährleisten.



ACHTUNG!

Der Akku sollte vorsorglich alle 2 Jahre ersetzt werden. Diese Maßnahme ist von Fachkräften durchzuführen.

5.5 Innenventilation

Das Gerät ist mit einer Innenventilation ausgerüstet.

Bei geschlossener Tür ist das Gebläse in Betrieb.



ACHTUNG!

Der Luftstrom hin zum Gebläse darf keinesfalls durch Blockieren oder Abdecken der Lüftungsschlitze behindert werden.

Beim Öffnen der Tür schaltet sich das Gebläse automatisch ab, um zu verhindern, dass unnötig warme Außenluft angesaugt wird.

5.6 Externe Alarmfunktion

An der Rückseite des Geräts befinden sich zwei Klemmen mit potenzialfreien Kontakten, die zum Auslösen eines externen (akustischen oder visuellen) Alarms genutzt werden können.

6 Kühlschrank aufstellen und anschließen

6.1 Auspacken des Kühlschranks

- ▶ Vergewissern Sie sich, dass die Verpackung unbeschädigt ist.
- ▶ Entfernen Sie die Verpackung.
- ▶ Vergewissern Sie sich, dass der Kühlschrank nicht beschädigt ist.
Wenn Sie transportbedingte Schäden an Verpackung oder Kühlschrank bemerken, zeigen Sie dies unverzüglich dem Transportunternehmen an.

6.2 Aufstellen der freistehenden Version

Beachten Sie beim Aufstellen folgende Hinweise:

- Stellen Sie den Kühlschrank so auf, dass die erwärmte Luft gut nach oben oder zu den Seiten abziehen kann.
- ▶ Platzieren Sie den Kühlschrank an der vorgesehenen Stelle.
- ▶ Lassen Sie den Kühlschrank mindestens vier Stunden lang stehen, bevor Sie ihn an die Stromversorgung anschließen, damit das Kühlmittel wieder in den Kompressor zurückfließen kann.

6.3 Aufstellen der Einbauversion



VORSICHT!

Stellen Sie sicher, dass das Regal stabil genug ist, um das gesamte Gewicht von Kühlschrank und darin zu lagernden Medizinprodukten zu tragen.

Beachten Sie beim Aufstellen folgende Hinweise:

- Stellen Sie den Kühlschrank so auf, dass die erwärmte Luft gut abziehen kann (entweder nach oben oder zur Vorderseite, Abb. **3**, Seite 4).

Legende für Abb. **3**, Seite 4

Nr.	Erläuterung
1	kalte Zuluft
2	warme Abluft


- Stellen Sie sicher, dass die Tür des Kühlschranks mindestens um 100° geöffnet werden kann. Andernfalls können die Schubladen nicht herausgezogen werden.
- Überprüfen Sie die Maße des Geräts (Abb. **11**, Seite 8 oder Abb. **12**, Seite 9).
- Platzieren Sie das Gerät gemäß Abb. **4**, Seite 5 oder Abb. **5**, Seite 5.
- Fixieren Sie das Gerät mithilfe zweier Schrauben an den dafür vorgesehenen Halterungen an der Unterseite (Abb. **6**, Seite 6).
- Lassen Sie das Gerät mindestens vier Stunden lang stehen, bevor Sie es an die Stromversorgung anschließen, damit das Kühlmittel wieder in den Kompressor zurückfließen kann.

6.4 Kühlschrank an die Stromversorgung anschließen



ACHTUNG!

- Schließen Sie das Gerät unabhängig an, um Fehlfunktionen infolge von Problemen mit anderen elektrischen Geräten zu vermeiden. Schließen Sie das Gerät niemals mithilfe einer gemeinsam mit anderen elektrischen Geräten genutzten Mehrfachsteckdose an die selbe Wandsteckdose an.
- **Ausschließlich Großbritannien:** Der Stecker des Kühlschranks ist mit einer 3 A Sicherung ausgestattet. Falls die Sicherung gewechselt werden muss, verwenden Sie eine ASTA zugelassene (BS 1362) 3 A Sicherung.

- Schließen Sie den Stecker für die Stromversorgung ans Netz an.
- ✓ Die grüne LED für die Spannung leuchtet (Abb. **2** 2, Seite 4).
- Drücken Sie den Taster .

- ✓ Das Display leuchtet.

Während der ersten zwei Sekunden zeigt das Display „---“ an. Danach wird die vom Sensor gemessene Temperatur angezeigt.

6.5 Montieren und Demontieren des Türgriffs

- Montieren Sie den Türgriff wie dargestellt (Abb. **7**, Seite 6).
- Demontieren Sie den Türgriff wie dargestellt (Abb. **8**, Seite 7).

6.6 Einen externen Alarm installieren

Benutzen Sie die potenzialfreien Kontakte an der Geräterückseite wie folgt:

- Die oberen Kontakte sind für den Stromausfall-Alarm (Abb. **9** 1 und 2, Seite 7).
- Die unteren Kontakte sind für den Temperatur-Alarm (Abb. **9** 3 und 4, Seite 7).

An die Kontakte können Spannungen zwischen 12 V und 250 V angelegt werden. Die maximale Stromstärke darf 8 A nicht übersteigen. Die minimale Leistungsaufnahme ist 100 mA/5 V.



HINWEIS

Das externe Alarmsignal kann nur durch Beseitigen der Ursache des Alarms ausgeschaltet werden.

7 Den Kühlschrank benutzen



HINWEIS

- Bevor Sie den neuen Kühlschrank in Betrieb nehmen, sollten Sie ihn aus hygienischen Gründen innen und außen mit einem feuchten Tuch reinigen (siehe Kapitel „Reinigung und Pflege“ auf Seite 43).
- Sorgen Sie immer für etwas Abstand zwischen den Medizinprodukten im Kühlschrank, um effiziente und gleichmäßige Kühlung zu gewährleisten. Wenn die Schubladen zu eng befüllt werden, kann es zu unangemessenen Temperaturen kommen.
- Behalten Sie diese Bedienungsanleitung in greifbarer Nähe des Geräts, so dass alle Benutzer sich über die Funktionen und Sicherheitsbestimmungen informieren können.

7.1 Tipps zum Energiesparen

- Wählen Sie einen gut belüfteten und vor Sonnenstrahlen geschützten Einsatzort.
- Öffnen Sie den Kühlschrank nicht häufiger als nötig.
- Lassen Sie die Türen nicht länger offen stehen als nötig.
- Tauen Sie den Kühlschrank ab, sobald sich eine Eisschicht gebildet hat.

7.2 Das Gerät in Betrieb nehmen




VORSICHT!

Lagern Sie keine Medikamente und Medizinprodukte in dem Kühlschrank, bevor der E6 Fehlercode erloschen und der Betriebstemperaturbereich erreicht ist.



HINWEIS

Die Temperaturwerte werden unveränderbar in °C angezeigt.

- Bei der ersten Inbetriebnahme des Geräts oder nach längerem Ausschalten, zeigt das Display des Digitalthermometers (Abb. **2**, Seite 4) abwechselnd die aktuelle Umgebungstemperatur und die Fehlermeldung „E6“ an.
- Die Warn LED leuchtet, aber es erfolgt kein akustischer Alarm.
- Sobald die Innentemperatur den Betriebstemperaturbereich (2 °C – 8 °C) erreicht, wird die aktuelle Temperatur angezeigt.
- Setzen Sie das Thermometer zurück, damit es keinen falschen maximalen Temperaturwert anzeigt.
- Drücken Sie den Taster  für die Dauer von 5 Sekunden.

7.3 Hintergrundbeleuchtung des Displays im Akkubetrieb

Die Anzeige des Thermometers besitzt eine blaue Hintergrundbeleuchtung. Wenn das Gerät an die Stromversorgung angeschlossen ist, ist die Hintergrundbeleuchtung des Displays kontinuierlich eingeschaltet.

Im Akkubetrieb schaltet sich die Hintergrundbeleuchtung nach 2 Minuten ab.

- Drücken Sie kurz auf den Taster , um die Hintergrundbeleuchtung des Displays für 3 Sekunden einzuschalten.

7.4 Temperaturwerte

Das Thermometer speichert die minimalen und maximalen Innentemperaturen seit der letzten Rücksetzung.

Um die Werte zurückzusetzen:

- Drücken Sie den Taster  für die Dauer von 5 Sekunden.

7.5 Alarme



ACHTUNG!

- Wenn Sie das alarmlösende Problem nicht beseitigen können, lagern Sie die Medizinprodukte so schnell wie möglich an einem anderen Ort.
- Im Falle eines Stromausfalles wird die Innentemperatur in 2 Stunden (Hold-Over-Time) von 2 °C auf 10 °C ansteigen, bei einer Umgebungstemperatur von 25 °C.

Es gibt fünf verschiedene Fälle, in denen ein Alarm auftreten kann:

Alarmereignis	Zahl der Pieptöne	Dauer der Pieptöne
Temperatur außerhalb des Temperaturbereichs	1 Piepton / 5 Sek.	1 Sek.
Stromausfall	1 Piepton / 3 Sek.	0,5 Sek.
Innengebläse	k.A.	andauernder Piepton
Tür offen für > 20 Sek.		
Verbindungsproblem zwischen Anzeige und Steuereinheit	1 Piepton / 2 Sek.	1 Sek.
Tür offen für > 60 Sek.	2 Pieptöne / 2 Sek.	0,5 Sek.

Der Alarm kann stumm- und lautgeschaltet werden:

- Drücken Sie den Taster .



HINWEIS

- Wenn ein weiterer Alarm ausgelöst wird, wird das Alarmsignal automatisch lautgestellt.
- Stellen Sie das Alarmsignal wieder laut, wenn alle Ursachen für den Alarm behoben sind.

7.6 Kühlschrank abtauen



HINWEIS

Bei sehr hoher Umgebungstemperatur kann es vorkommen, dass der Kühlschrank ununterbrochen arbeitet, was zu einer übermäßigen Reifbildung an der Rückwand des Kühlfachs führt.


Luftfeuchtigkeit kann sich im Innenraum des Kühlschranks oder am Verdampfer als Reif niederschlagen.

Wenn der Kühlschrank längere Zeit in Betrieb war, kann sich im Inneren eine Reifschicht oder Wasser absetzen. Dies ist normal, weil die Feuchtigkeit in der Luft zu Wassertropfen kondensiert, wenn die Temperatur im Kühlschrank abkühlt. Der Kühlschrank ist **nicht** defekt.

Das Kondensat fließt über einen Tauwasserablauf in einen Wasserbehälter an der Rückseite des Geräts über dem Kompressor ab, wo es verdunstet.


Es wird empfohlen, den Kühlschrank alle drei Wochen abzutauen.

Verfahren Sie wie folgt:

- Drücken Sie den Taster  länger als 5 Sekunden, um den Kühlschrank auszuschalten.
- Trennen Sie den Kühlschrank von der Stromversorgung.
- Nehmen Sie die Schubladen heraus (siehe Kapitel „Herausnehmen der Schubladen“ auf Seite 42).
- Lassen Sie die Tür offen.
- Wischen Sie das Kühlschrankinnere mit einem feuchten, sauberen Tuch aus.
- Setzen Sie die Schubladen zusammen.

7.7 Kühlschrank ausschalten und stilllegen

Wenn Sie den Kühlschrank für längere Zeit stilllegen wollen, gehen Sie wie folgt vor:

- Drücken Sie den Taster  länger als 5 Sekunden.
- Trennen Sie den Kühlschrank von der Stromversorgung.
- Reinigen Sie den Kühlschrank (siehe Kapitel „Reinigung und Pflege“ auf Seite 43).
- Lassen Sie die Tür leicht geöffnet.
So verhindern Sie, dass sich Gerüche bilden.

7.8 Herausnehmen der Schubladen

Die Schubladen sind z.B. zum Reinigen herausnehmbar.

Gehen Sie wie folgt vor (Abb. **10**, Seite 8):

- Öffnen Sie die Tür **(A)**.
- Ziehen Sie die Schublade heraus **(B)**.
- Drücken Sie die Befestigungsstifte von außen nach innen **(C)**.
- Nehmen sie die Schublade heraus **(D)**.
- Setzen Sie die Schubladen in umgekehrter Reihenfolge ein.

8 Reinigung und Pflege



WARNUNG!

Trennen Sie vor jeder Reinigung und Pflege den Kühlschrank vom Netz.



ACHTUNG!

- Verwenden Sie zur Reinigung keine scharfen Reinigungsmittel oder harten Gegenstände, da diese den Kühlschrank beschädigen können.
- Verwenden Sie nie harte oder spitze Werkzeuge zum Entfernen von Eisschichten oder zum Lösen festgefrorener Gegenstände.
- Verwenden Sie keine mechanischen oder andere Hilfsmittel, um den Abtauvorgang zu beschleunigen.

- Reinigen Sie den Kühlschrank regelmäßig und sobald er verschmutzt ist mit einem feuchten Tuch.
- Achten Sie darauf, dass kein Wasser in die Dichtungen tropft. Dies kann die Elektronik beschädigen.
- Wischen Sie den Kühlschrank nach dem Reinigen mit einem Tuch trocken.
- Prüfen Sie den Tauwasserabfluss regelmäßig.
Reinigen Sie den Tauwasserabfluss, falls nötig. Wenn er verstopft ist, sammelt sich das Tauwasser auf dem Boden des Kühlschranks.
- Reinigen Sie regelmäßig die Türdichtung.
- **Freistehende Version:** Reinigen Sie das Gitter an Kondensator und Kompressor an der Rückseite des Geräts regelmäßig mit einem Staubsauger.

9 Fehlerbehebung

Wasser im oder unter dem Kühlschrank

Fehler	Mögliche Ursache	Abhilfe
Wasser fließt in den Innenraum des Kühlschranks.	Der Kondensatablauf ist verstopft.	Reinigen Sie den Ablauf.
	Die Medikamente hindern das Wasser daran, zum Sammler zu fließen.	Sorgen Sie dafür, dass die Medikamente nicht die Rückwand berühren.
Wasser fließt auf den Boden.	Im Wasserbehälter ist zu viel Wasser.	Reinigen Sie den Wasserbehälter.

Fehlermeldungen auf dem Display

Fehlercode	Erläuterung
E0	Keine Kommunikation zwischen Display und Steuerung
E1	NTC1 kurzgeschlossen oder offener Stromkreislauf
E2	NTC2 kurzgeschlossen oder offener Stromkreislauf
E3	Akku nicht angeschlossen oder nicht OK
E4	Gebälse funktioniert nicht
E5	Tür länger als 60 Sekunden offen
E6	Temperatur außerhalb des Temperaturbereichs (unter 2 °C oder über 8 °C)
E7	Keine Verbindung mit der Stromversorgung
E8	Zu großer Unterschied zwischen NTC1- und NTC2- Werten

10 Gewährleistung

Es gilt die gesetzliche Gewährleistungsfrist. Sollte das Produkt defekt sein, wenden Sie sich bitte an die Niederlassung des Herstellers in Ihrem Land (Adressen siehe Rückseite der Anleitung) oder an Ihren Fachhändler.

Zur Reparatur- bzw. Gewährleistungsbearbeitung müssen Sie folgende Unterlagen mitschicken:

- eine Kopie der Rechnung mit Kaufdatum,
- einen Reklamationsgrund oder eine Fehlerbeschreibung.

11 Entsorgung



WARNUNG! Kinderfalle!

Vor der Entsorgung Ihres alten Kühlschranks:

- Bauen Sie die Schubladen aus.
- Belassen Sie die Schubladen im Kühlschrank, damit keine Kinder hineinklettern können.



ACHTUNG!


Bei dem Gerät kommt ein Isolationsgas zur Anwendung (siehe Typenschild). Erkundigen Sie sich bei der zuständigen kommunalen Verwaltungsbehörde oder Ihrem örtlichen Entsorgungsunternehmen über die korrekte Entsorgung und stellen Sie sicher, dass das Gerät und sämtliche Stoffe einer fachgerechten Entsorgung zugeführt werden.

- Geben Sie das Verpackungsmaterial möglichst in den entsprechenden Recycling-Müll.



Wenn Sie das Produkt endgültig außer Betrieb nehmen, informieren Sie sich bitte beim nächsten Recyclingcenter oder bei Ihrem Fachhändler über die zutreffenden Entsorgungsvorschriften.

12 Technische Daten

	HC302D	HC502D
Bruttinhalt:	33 l	49 l
Füllmenge:	22 l	35 l
Anschlussspannung:	220 – 240 V~	
Energieverbrauch:	0,381 kWh/24 h	0,423 kWh/24 h
Leistungsaufnahme:	0,54 A	
max. Kühlleistung:	+2 °C bis +8 °C	
Betriebsumgebungstemperatur:	+10 °C bis +35 °C	
Hold-Over-Time (2 °C auf 10 °C) bei 25 °C:	2 Stunden	
Kältemittel:	R134a	
Kältemittelmenge:	38 g	
CO ₂ -Äquivalent:	0,054 t	
Treibhauspotential (GWP):	1430	
Maße:	siehe Abb. 11 , Seite 8	siehe Abb. 12 , Seite 9
Gewicht:	ca. 20 kg	ca. 22 kg
Prüfung/Zertifikat:		

Enthält fluorierte Treibhausgase

Hermetisch geschlossene Einrichtung

Entspricht folgenden EWG Richtlinien:

- LVD-Richtlinie: 2006/95/EG
- EMV-Richtlinie: 2004/108/EG
- EG-Richtlinie: 93/68/EG
- RoHS-Richtlinie: 2002/95/EG
- WEEE-Richtlinie: 2002/96/EG
- Direktive DIN 58345: 2007-09

Veillez lire attentivement cette notice avant le montage et la mise en service. Veillez ensuite la conserver. En cas de passer le produit, veuillez le transmettre au nouvel acquéreur.

Sommaire

1	Signification des symboles	48
2	Consignes de sécurité	48
3	Pièces fournies	50
4	Usage conforme	51
5	Désignation technique	51
6	Installation et branchement du réfrigérateur	54
7	Utilisation du réfrigérateur	57
8	Nettoyage et maintenance	62
9	Guide de dépannage	63
10	Garantie	64
11	Retraitement	64
12	Caractéristiques techniques	65

1 Signification des symboles

**DANGER !**

Consigne de sécurité : le non-respect de ces consignes entraîne la mort ou de graves blessures.

**AVERTISSEMENT !**

Consigne de sécurité : le non-respect de ces consignes peut entraîner la mort ou de graves blessures.

**ATTENTION !**

Consigne de sécurité : le non-respect de ces consignes peut entraîner des blessures.

**AVIS !**

Le non-respect de ces consignes peut entraîner des dommages matériels et des dysfonctionnements du produit.

**REMARQUE**

Informations complémentaires sur l'utilisation du produit.

2 Consignes de sécurité

Le fabricant décline toute responsabilité pour des dommages dans les cas suivants :

- des défauts de montage ou de raccordement
- des influences mécaniques et des surtensions ayant endommagé le matériel
- des modifications apportées au produit sans autorisation explicite de la part du fabricant
- une utilisation différente de celle décrite dans la notice

2.1 Sécurité générale



AVERTISSEMENT !

- Ne faites pas fonctionner l'appareil s'il est visiblement endommagé.
- Si le câble d'alimentation de cet appareil est endommagé, il doit être remplacé par le service client ou une personne qualifiée afin d'éviter des risques pour la sécurité.
- Cet appareil doit être réparé par une personne qualifiée uniquement. Toute réparation inappropriée peut entraîner de sérieux risques.
- Cet appareil peut être utilisé par des enfants âgés de 8 ans ou plus, ainsi que par des personnes ayant des capacités physiques, sensorielles ou mentales affaiblies ou un manque d'expérience et de connaissances, à condition qu'ils soient supervisés ou aient été informés sur la façon d'utiliser le dispositif en toute sécurité et soient au courant des risques qui en découlent.
- Le nettoyage et la maintenance ne doivent pas être effectués par des enfants sans surveillance.
- Il convient de surveiller que les enfants ne jouent pas avec l'appareil.
- Conservez et utilisez toujours l'appareil hors de portée des enfants de moins de 8 ans.
- Ne stockez pas de substances explosives, telles que des bombes à aérosol avec agents propulseurs, dans l'appareil.



AVIS !

- Contrôlez que la tension spécifiée sur la plaque signalétique est la même que celle de l'alimentation.
- Ne sortez jamais la fiche de la prise en tirant sur le câble de raccordement.
- Le réfrigérateur n'est pas approprié pour le stockage de substances caustiques ou contenant des solvants.
- Maintenez toujours la sortie de drainage propre.
- N'ouvrez en aucun cas le circuit de fluide réfrigérant.
- Ne transportez jamais l'appareil en position horizontale, afin que l'huile ne puisse pas fuir du compresseur.
- Assurez-vous que le circuit du réfrigérateur n'est pas endommagé pendant le transport.
- Installez l'appareil dans un endroit sec où il est protégé contre les éclaboussures d'eau.

2.2 Utilisation sécurisée de l'appareil



DANGER !

- Ne touchez pas les câbles exposés.



ATTENTION !

- Avant de démarrer l'appareil, assurez-vous que la ligne d'alimentation et le connecteur sont secs.



AVIS !

- N'utilisez pas de dispositifs électriques à l'intérieur de l'appareil de refroidissement sauf s'ils sont recommandés par le fabricant pour cette fin.
- Ne le placez pas à proximité d'une flamme nue ou d'autres sources de chaleur (radiateurs, lumière directe du soleil, fours à gaz, etc.)
- **Risque de surchauffe !**
Assurez toujours une ventilation suffisante afin que la chaleur générée pendant le fonctionnement puisse se dissiper. Assurez-vous que l'appareil est suffisamment loin de murs et d'autres objets de sorte que l'air puisse circuler (fig. **3**, page 4).
- Assurez-vous que les grilles de ventilation ne sont pas couvertes.
- L'appareil ne doit pas être exposé à la pluie.
- Ne plongez jamais l'appareil dans l'eau.
- Protégez l'appareil et le câble d'alimentation de la chaleur et de l'humidité.
- Assurez-vous que les substances stockées ne touchent pas les parois de la zone de refroidissement.

3 Pièces fournies

Quantité	Description
1	Réfrigérateur
1	Poignée
1	Instructions de montage et de service

4 Usage conforme

Le réfrigérateur est conçu pour stocker des médicaments et des produits médicaux (selon DIN 58345) qui doivent être entreposés à des températures comprises entre +2 °C et +8 °C.



ATTENTION !

Le réfrigérateur n'est pas approprié pour le stockage de sang.

5 Désignation technique

5.1 Description du fonctionnement

Tous les matériaux utilisés dans le réfrigérateur sont compatibles avec l'utilisation de médicaments et de produits médicaux.

Le circuit de fluide réfrigérant est sans entretien.

Le réfrigérateur est disponible en version autonome (FS) et en version encastrée (BIU).

La version à poser est prévue pour une utilisation autonome. Le capot du groupe frigorifique protège les parties chaudes des groupes frigorifiques. Le châssis sur pieds avec ses ouvertures d'aération assure une aération suffisante. Après le retrait du châssis sur pieds et du couvercle du groupe frigorifique, le réfrigérateur peut être utilisé comme version encastrée.




La version encastrée est destinée à être montée dans des meubles. Elle n'a pas de châssis sur pieds ni de couvercle du groupe frigorifique.

Le thermomètre numérique affiche et enregistre les températures intérieures minimale et maximale depuis la dernière réinitialisation afin que vous puissiez vérifier si les médicaments ont été entreposés à la bonne température.

5.2 Éléments de commande

N° dans fig. 1 , page 3	Explication
1	Verrou de porte
2	Portière
3	Thermomètre numérique (voir fig. 2 , page 4)
4	Couvercle unité de réfrigération
5	Tiroirs
6	Éclairage intérieur
7	Ventilateur
8	Châssis sur pieds

Touche vers fig. **2**, page 4

N°	Explication
1	Touche MARCHE / ARRÊT 
2	Touche MUTE (muet) 
3	Température interne actuelle
4	Température interne minimale
5	Touche Reset 
6	Température interne maximale
7	LED (rouge) pour les alarmes
8	LED (verte) de présence d'alimentation

5.3 Thermostat de sécurité

L'appareil est équipé d'un thermostat de sécurité. Ce thermostat éteint le compresseur dès que la température intérieure tombe au-dessous de +2 °C, empêchant ainsi les produits médicaux d'être endommagés par le gel.

5.4 Pile rechargeable

Dans le cas où l'alimentation est interrompue, les fonctions de surveillance de l'électronique sont maintenues pendant au moins 12 heures par une pile rechargeable intégrée.

La pile est automatiquement rechargée lorsque l'appareil est branché au secteur et allumé.

Au premier démarrage de l'appareil, le message d'erreur « E3 » peut apparaître. Le message disparaît dès que la pile est chargée.

Si la capacité de la pile n'est plus suffisante pour assurer les fonctions de surveillance, le message d'erreur « E3 » s'affiche sur l'écran.



AVIS !

La pile doit être remplacée tous les 2 ans, par précaution. Ce remplacement doit être effectué par du personnel qualifié.

5.5 Ventilation interne

L'appareil est équipé d'un système de ventilation interne.

Le ventilateur fonctionne lorsque la porte est fermée.



AVIS !

Le débit d'air vers le ventilateur ne doit jamais être entravé en bloquant ou en couvrant les orifices de ventilation.

Pour empêcher que l'air chaud de l'extérieur soit inutilement aspiré, le ventilateur s'éteint automatiquement lorsque la porte est ouverte.

5.6 Fonction d'alarme externe

Il y a deux bornes avec deux contacts flottants à l'arrière de l'appareil qui peuvent être utilisés pour déclencher une alarme externe supplémentaire (alarme acoustique ou visuelle).

6 Installation et branchement du réfrigérateur

6.1 Déballage du réfrigérateur

- Vérifiez que l'emballage est intact.
- Retirez l'emballage en carton.
- Vérifiez que le réfrigérateur est intact.

Si vous constatez sur l'emballage ou le réfrigérateur des dommages résultant du transport, signalez-le immédiatement à l'entreprise de transport.

6.2 Installation de la version autonome

Observez les instructions suivantes lors de l'installation :

- Installez le réfrigérateur de telle sorte que l'air chaud produit puisse être facilement évacué, vers le haut ou vers les côtés.
- Placez le réfrigérateur à l'endroit choisi.
- Laissez le réfrigérateur au repos pendant au moins quatre heures avant de le connecter à l'alimentation afin que le fluide réfrigérant puisse refluer dans le compresseur.

6.3 Installation de la version encastrée



ATTENTION !

Assurez-vous que l'étagère est adaptée pour porter le poids total du réfrigérateur et les médicaments à stocker.

Observez les instructions suivantes lors de l'installation :

- Installez le réfrigérateur de telle sorte que l'air chaud produit puisse être facilement évacué (vers le haut ou vers l'avant, fig. **3**, page 4).

Touche vers fig. **3**, page 4

N°	Explication
1	Air d'admission froid
2	Air d'échappement chaud

- Assurez-vous que la porte du réfrigérateur peut s'ouvrir au moins à 100°. Sinon, les tiroirs ne peuvent pas être utilisés.
- Vérifiez les dimensions de l'appareil (fig. **11**, page 8 ou fig. **12**, page 9).
- Placez l'appareil conformément à fig. **4**, page 5 ou fig. **5**, page 5.
- Fixez l'appareil au meuble en serrant deux vis à travers les raccords du bas (fig. **6**, page 6).
- Laissez l'appareil au repos pendant au moins quatre heures avant de le connecter à l'alimentation afin que le fluide réfrigérant puisse refluer dans le compresseur.

6.4 Raccordement du réfrigérateur à l'alimentation




AVIS !

- Connectez l'appareil à un circuit séparé pour éviter un dysfonctionnement en raison de problèmes avec d'autres équipements électriques. Ne branchez jamais l'appareil sur une prise unique avec d'autres équipements électriques grâce à une prise multiple.
- **Royaume-Uni uniquement :** le réfrigérateur est fourni avec un connecteur muni d'un fusible de 3 A. Au cas où ce fusible doit être changé, utilisez un fusible de 3 A homologué ASTA (BS 1362).

➤ Branchez la fiche du câble de raccordement dans la prise secteur.

✓ Le voyant d'alimentation vert s'allume (fig. **2**, page 4).

➤ Appuyez sur la touche .

✓ L'affichage s'allume.

Pendant les deux premières secondes, l'affichage ne montre pas les valeurs de température ; il indique « --.- ». Puis la température lue par le capteur est indiquée.

6.5 Montage et démontage de la poignée de porte

➤ Montez la poignée comme indiqué (fig. **7**, page 6).

➤ Démontez la poignée comme indiqué (fig. **8**, page 7).

6.6 Installation d'une alarme externe

Utilisez les contacts flottants à l'arrière de l'appareil comme suit :

- Les contacts supérieurs correspondent à l'alarme en cas de panne d'alimentation (fig. 9 1 et 2, page 7).
- Les contacts inférieurs correspondent à l'alarme de température (fig. 9 3 et 4, page 7).

Une tension comprise entre 12 V et 250 V peut être connectée aux contacts. La charge maximale ne doit pas dépasser 8 A. La puissance nominale minimale est de 100 mA/5 V.



REMARQUE

Le signal d'alarme externe peut être coupé uniquement en éliminant la cause de l'alarme.

7 Utilisation du réfrigérateur



REMARQUE

- Avant de démarrer votre nouveau réfrigérateur pour la première fois, vous devez le nettoyer à l'intérieur et à l'extérieur avec un chiffon humide, pour des raisons d'hygiène (veuillez vous reporter à la chapitre « Nettoyage et maintenance », page 62).
- Laissez toujours un espace entre les médicaments dans le réfrigérateur afin d'assurer l'efficacité et l'homogénéité du refroidissement. Si les tiroirs sont trop comprimés, des valeurs de température non autorisées peuvent se produire.
- Conservez ces instructions d'exploitation à portée de main et laissez-les à proximité de l'appareil, afin que tous les utilisateurs puissent trouver des informations sur les fonctions et les consignes de sécurité.

7.1 Conseils pour économiser de l'énergie

- Choisissez un emplacement bien ventilé et protégé de la lumière directe du soleil.
- N'ouvrez pas le réfrigérateur plus souvent que nécessaire.
- Ne laissez pas les portes ouvertes plus longtemps que nécessaire.
- Décongelez votre réfrigérateur dès qu'une couche de glace se forme.

7.2 Démarrage de l'appareil




ATTENTION !

Ne stockez pas de médicaments ni de produits médicaux dans le réfrigérateur avant que le code d'erreur E6 ne s'éteigne et que la plage de température de fonctionnement ne soit atteinte.



REMARQUE

Les valeurs de température sont affichées en °C. Ce réglage ne peut pas être modifié.

- Lors du premier démarrage de l'appareil ou après une mise hors tension pendant une longue période, l'afficheur du thermomètre numérique (fig. **2**, page 4) affiche la température ambiante actuelle en alternance avec le message d'erreur « E6 ».
- La DEL d'alarme s'allume, mais aucune alarme sonore ne retentit.
- Dès que la température intérieure atteint la plage de températures de fonctionnement (2 °C – 8 °C), la température actuelle est affichée.
- Réinitialisez le thermomètre afin d'éviter une valeur de température maximale incorrecte.
- Appuyez sur la touche  pendant 5 secondes.

7.3 **Rétroéclairage de l'écran en mode de fonctionnement sur batterie**

L'écran du thermomètre dispose d'un rétroéclairage bleu afin de faciliter la lecture des valeurs de température. Le rétroéclairage de l'affichage fonctionne en permanence pendant que l'appareil est branché sur le secteur.


En mode de fonctionnement sur batterie, le rétroéclairage de l'affichage s'éteint après 2 minutes.

- Pour activer le rétroéclairage de l'écran pendant 3 secondes, appuyez brièvement sur la touche .

7.4 **Valeurs de température**

Le thermomètre enregistre les valeurs de la température interne minimale et maximale depuis la dernière réinitialisation.

Pour réinitialiser ces valeurs :

- Appuyez sur la touche  pendant 5 secondes.

7.5 Alarmes



AVIS !

- Si vous n'êtes pas en mesure d'éliminer le problème ayant déclenché l'alarme, stockez les médicaments ailleurs dès que possible.
- En cas de coupure de courant, la température intérieure passe de 2 °C à 10 °C en 2 heures (Hold-Over-Time) à une température ambiante de 25 °C.

Il y a cinq cas spéciaux de survenue des alarmes :

Événement déclenchant l'alarme	Nombre de bips	Durée des bips
Température hors de la plage	1 bip / 5 s	1 s
Panne de courant	1 bip / 3 s	0,5 s
Le ventilateur interne est bloqué	N.a.	Bip permanent
Porte ouverte pendant une durée > 20 s	1 bip / 2 s	1 s
Problème de connexion entre l'écran et le contrôleur		
Porte ouverte pendant une durée > 60 s	2 bips / 2 s	0,5 s

L'alarme peut être mise en silencieux et rétablie :

- Appuyez sur la touche .



REMARQUE

- Si une autre alarme est déclenchée, le signal d'alarme est automatiquement rétabli.
- Une fois que tous les événements d'alarme sont passés, un signal d'alarme mis en silencieux doit être rétabli de nouveau manuellement.

7.6 Dégivrage du réfrigérateur



REMARQUE

En cas de fortes températures ambiantes, le réfrigérateur peut fonctionner en continu, ce qui peut conduire à une formation excessive de givre sur la paroi arrière du compartiment du réfrigérateur.


L'humidité peut provoquer la formation de gel dans l'intérieur du réfrigérateur ou sur l'évaporateur.

Une légère couche de givre ou des gouttelettes d'eau peuvent se former à l'intérieur du réfrigérateur s'il refroidit pendant de longues périodes. Ceci est normal car l'humidité dans l'air se condense en eau lorsque la température du réfrigérateur chute. Le réfrigérateur **n'est pas** défectueux.

Le condensat s'écoule à travers un conduit de vidange d'eau dans un récipient d'eau à l'arrière de l'appareil, en haut du compresseur, d'où il s'évapore.


Il est recommandé de dégivrer le réfrigérateur toutes les trois semaines.

Procédez comme suit :

- Arrêt du réfrigérateur : Appuyez sur la touche  pendant plus de 5 secondes.
- Débranchez le réfrigérateur de l'alimentation secteur.
- Retirez les tiroirs (voir chapitre « Retrait des tiroirs », page 62).
- Laissez la porte ouverte.
- Après le dégivrage, essuyez l'intérieur avec un chiffon propre et humide.
- Montez les tiroirs.

7.7 Arrêt et stockage du réfrigérateur

Si vous n'avez pas l'intention d'utiliser le réfrigérateur pendant un long moment, procédez comme suit :

- Arrêt du réfrigérateur : Appuyez sur la touche  pendant plus de 5 secondes.
- Débranchez le réfrigérateur de l'alimentation secteur.
- Nettoyez le réfrigérateur (voir chapitre « Nettoyage et maintenance », page 62).
- Laissez la porte légèrement ouverte.
Ceci empêche la formation d'odeurs désagréables.

7.8 Retrait des tiroirs

Vous pouvez retirer les tiroirs, p. ex. pour le nettoyage.

Procédez comme suit (fig. **10**, page 8) :

- ▶ Ouvrez la porte (**A**).
- ▶ Sortez le tiroir (**B**).
- ▶ Enfoncez les goupilles de fixation de l'extérieur vers l'intérieur (**C**).
- ▶ Retirez le tiroir (**D**).
- ▶ Remontez les tiroirs dans l'ordre inverse.

8 Nettoyage et maintenance



AVERTISSEMENT !

Avant toute opération de nettoyage ou d'entretien du réfrigérateur, veillez à débrancher celui-ci du secteur.



AVIS !

- N'utilisez ni détergents abrasifs, ni objets durs pour le nettoyage, ceux-ci pouvant endommager le réfrigérateur.
 - N'utilisez jamais d'outils durs ou pointus pour enlever les couches de glace ou pour détacher des objets pris dans le givre.
 - N'utilisez aucun moyen mécanique ou autre pour accélérer la procédure de dégivrage.
- ▶ Nettoyez le réfrigérateur régulièrement et dès qu'il est sale, avec un chiffon humide.
 - ▶ Veillez à ce que de l'eau ne goutte pas sur les joints. Cela risque d'endommager les composants électroniques.
 - ▶ Essayez le réfrigérateur avec un chiffon après l'avoir nettoyé.
 - ▶ Vérifiez régulièrement l'écoulement de l'eau de dégivrage.
Nettoyez l'écoulement de l'eau de dégivrage si nécessaire. S'il est bouché, l'eau de dégivrage s'accumule en bas du réfrigérateur.
 - ▶ Nettoyez régulièrement les joints d'étanchéité des portes.
 - ▶ **Version autonome** : Nettoyez régulièrement la grille du condenseur et le compresseur à l'arrière de l'appareil avec un aspirateur.

9 Guide de dépannage

Eau dans ou sous le réfrigérateur

Panne	Cause possible	Solution
De l'eau fuit dans l'intérieur du réfrigérateur.	Le conduit d'évacuation des condensats est bouché.	Nettoyez l'orifice de vidange.
	Des médicaments empêchent l'eau de s'écouler vers le collecteur.	Assurez-vous que les médicaments ne touchent pas la paroi arrière.
De l'eau fuit sur le sol.	Il y a trop d'eau dans le récipient d'eau.	Nettoyez le récipient d'eau.

Affichage des messages d'erreur

Code d'erreur	Explication
E0	Échec de la communication écran/commande
E1	NTC1 court-circuit ou connexion ouverte
E2	NTC2 court-circuit ou connexion ouverte
E3	Pile non connectée ou pas OK
E4	Le ventilateur ne fonctionne pas
E5	Porte ouverte pendant plus de 60 secondes
E6	Température hors plage autorisée (inférieure à 2 °C ou supérieure à 8 °C)
E7	L'alimentation secteur n'est pas connectée
E8	Trop d'écart entre les valeurs NTC1 et NTC2

10 Garantie

Le délai légal de garantie s'applique. Si le produit s'avérait défectueux, veuillez vous adresser à la filiale du fabricant située dans votre pays (voir adresses au verso du présent manuel) ou à votre revendeur spécialisé.

Veuillez y joindre les documents suivants pour la gestion des réparations et de la garantie :

- une copie de la facture avec la date d'achat,
- le motif de la réclamation ou une description du dysfonctionnement.

11 Retraitement



AVERTISSEMENT ! Attention aux enfants !

Avant la mise au rebut de votre ancien réfrigérateur :

- Démontez les tiroirs.
- Laissez les tiroirs dans le réfrigérateur de façon à ce que les enfants ne puissent pas monter à l'intérieur.



AVIS !


Un gaz isolant est utilisé dans l'appareil (voir plaque signalétique). Vérifiez les modalités d'élimination correcte avec l'administration locale ou votre compagnie locale de traitement des déchets et assurez-vous que l'appareil et tous les matériaux sont mis au rebut de manière professionnelle.

- Jetez les emballages dans les conteneurs de déchets recyclables prévus à cet effet.



Lorsque vous mettez votre produit définitivement hors service, informez-vous auprès du centre de recyclage le plus proche ou auprès de votre revendeur spécialisé sur les prescriptions relatives au retraitement des déchets.

12 Caractéristiques techniques

	HC302D	HC502D
Capacité brute :	33 l	49 l
Volume utile :	22 l	35 l
Tension de raccordement :	220 – 240 V~	
Consommation d'énergie :	0,381 kWh/24 h	0,423 kWh/24 h
Puissance absorbée :	0,54 A	
Puissance frigorifique :	+2 °C à +8 °C	
Plage de température ambiante de fonctionnement :	+10 °C à +35 °C	
Hold-Over-Time (de 2 °C à 10 °C) à 25 °C :	2 heures	
Réfrigérant :	R134a	
Quantité de réfrigérant :	38 g	
Équivalent CO ₂ :	0,054 t	
Potentiel d'effet de serre (GWP) :	1430	
Dimensions :	voir fig. 11 , page 8	voir fig. 12 , page 9
Poids :	env. 20 kg	env. 22 kg
Inspection / certification :		

Contient des gaz à effet de serre fluorés

Équipement hermétiquement scellé

Conforme aux directives CEE suivantes :

- Directive basse tension : 2006/95/CE
- Directive CEM : 2004/108/CE
- Directive CE : 93/68/CE
- Directive RoHS : 2002/95/CE
- Directive WEEE : 2002/96/CE
- Directive DIN 58345 : 2007 -09

Lees deze handleiding voor de montage en de ingebruikname zorgvuldig door en bewaar hem. Geef de handleiding bij het doorgeven van het product aan de gebruiker.

Inhoudsopgave

1	Verklaring van symbolen	67
2	Veiligheidsinstructies	67
3	Omvang van de levering	69
4	Beoogd gebruik	70
5	Technische beschrijving	70
6	Installeren en aansluiten van de koelkast	73
7	De koelkast gebruiken	76
8	Reiniging en onderhoud	80
9	Verhelpen van storingen	81
10	Garantie	82
11	Afvoer	82
12	Technische gegevens	83

1 Verklaring van symbolen

**GEVAAR!**

Veiligheidsaanwijzing: Het niet naleven leidt tot overlijden of ernstig letsel.

**WAARSCHUWING!**

Veiligheidsaanwijzing: Het niet naleven kan leiden tot overlijden of ernstig letsel.

**VOORZICHTIG!**

Veiligheidsaanwijzing: Het niet naleven kan leiden tot letsel.

**LET OP!**

Het niet naleven ervan kan leiden tot materiële schade en de werking van het product beperken.

**INSTRUCTIE**

Aanvullende informatie voor het bedienen van het product.

2 Veiligheidsinstructies

De fabrikant kan in de volgende gevallen niet aansprakelijk worden gesteld voor schade:

- montage- of aansluitfouten
- beschadiging van het product door mechanische invloeden en overspanningen
- veranderingen aan het product zonder uitdrukkelijke toestemming van de fabrikant
- gebruik voor andere dan de in de handleiding beschreven toepassingen

2.1 Algemene veiligheid



WAARSCHUWING!

- Gebruik het toestel niet, als het zichtbaar is beschadigd.
- Als de voedingskabel van het toestel is beschadigd, moet deze worden vervangen door de klantenservice of een gelijkwaardige persoon om veiligheidsgevaaren te voorkomen.
- Dit toestel mag alleen door gekwalificeerd personeel worden gerepareerd. Foutieve reparaties kunnen ernstige gevaren vormen.
- Dit toestel mag worden gebruikt door kinderen vanaf 8 jaar, en door personen met lichamelijke, zintuiglijke of geestelijke beperkingen of gebrekkige ervaring en kennis, onder de voorwaarde dat ze onder toezicht staan of zijn geïnstrueerd over veilig gebruik van het toestel en de bijbehorende risico's.
- Reiniging en onderhoud door kinderen mag alleen onder toezicht worden uitgevoerd.
- Kinderen moeten onder toezicht staan om te voorkomen dat ze met het toestel spelen.
- Houd het toestel uit de buurt van kinderen onder 8 jaar.
- Bewaar geen explosieve componenten zoals spuitbussen met drijfgassen in het toestel.



LET OP!

- Controleer of de spanningspecificatie op het typeplaatje dezelfde is als die van de stroomvoorziening.
- Trek nooit de stekker met de kabel uit de contactdoos.
- De koelkast is niet geschikt voor het bewaren van stoffen die bijtend zijn of oplosmiddelen bevatten.
- Houd de afvoeropening steeds schoon en open.
- Open de koelkring nooit.
- Transporteer het toestel nooit horizontaal, om te voorkomen dat olie uit de compressor lekt.
- Controleer of de koelkring tijdens transport niet werd beschadigd.
- Plaats het toestel op een droge plek, beschermd tegen spatwater.

2.2 Het toestel veilig gebruiken



GEVAAR!

- Raak geen onbeschermd kabels aan.



VOORZICHTIG!

- Alvorens het toestel te starten, controleren of de toevoerleiding en de stekker droog zijn.



LET OP!

- Gebruik geen elektrische toestellen in het koeltoestel tenzij aanbevolen door de fabrikant.
- Plaats het toestel niet bij open vuur of andere warmtebronnen (verwarmingen, direct zonlicht, gaskachels etc.)
- **Gevaar voor oververhitting!**
Zorg altijd voor voldoende ventilatie zodat de tijdens gebruik gegenereerde warmte goed kan worden afgevoerd. Controleer of het toestel ver genoeg is verwijderd van wanden en andere objecten zodat de lucht kan circuleren (afb. **3**, pagina 4).
- Controleer of de ventilatieopeningen niet zijn afgedekt.
- Het toestel mag niet aan regen worden blootgesteld.
- Dompel het toestel nooit onder in water.
- Bescherm het toestel en de voedingskabel tegen warmte en vocht.
- Controleer of de opgeslagen stoffen geen wanden van het koelgedeelte raken.

3 Omvang van de levering

Hoeveelheid	Omschrijving
1	Koelkast
1	Hendel
1	Montage- en bedieningshandleiding

4 Beoogd gebruik

De koelkast is ontworpen om medicijnen en medische producten te bewaren (conform DIN 58345) bij temperaturen tussen +2 °C en +8 °C.



VOORZICHTIG!

De koelkast is niet geschikt voor de opslag van bloed.

5 Technische beschrijving

5.1 Functiebeschrijving

Alle materialen die in de koelkast zijn verwerkt zijn compatibel met medicijnen en medische producten.

De koelkring is onderhoudsvrij.

De koelkast is beschikbaar als vrijstaande versie (FS) en als inbouwversie (BIU).

De vrijstaande versie is bedoeld voor vrijstaand gebruik. De koeleenheidafdekking beschermt de warmtedelen van de koeleenheden. Het voetframe met ventilatieopeningen zorgt voor voldoende ventilatie. Door verwijderen van het voetframe en koeleenheidafdekking kan de koelkast als inbouwversie worden gebruikt.




De inbouwversie is bedoeld om in meubels te worden ingebouwd. Hij heeft geen voetframe of koeleenheidafdekking.

De digitale thermometer toont en onthoudt de minimum en maximum binnentemperaturen van de laatste reset zodat kan worden gecontroleerd of de medische producten waren opgeslagen bij de correcte temperaturen.

5.2 Bedienelementen

Nr. in afb. 1 , pagina 3	Verklaring
1	Deurslot
2	Deur
3	Digitale thermometer (zie afb. 2 , pagina 4)
4	Koeleenheidsafdekking
5	Lades
6	Binnenverlichting
7	Ventilator
8	Voetframe

Sleutel voor afb. **2**, pagina 4

Nr.	Verklaring
1	Aan/uit-toets 
2	MUTE-toets (stom) 
3	Actuele binnentemperatuur
4	Minimum binnentemperatuur
5	Reset-toets 
6	Maximum binnentemperatuur
7	Led (rood) voor alarmen
8	Led (groen) voor stroomvoorziening

5.3 Veiligheidsthermostaat

Het toestel is uitgerust met een veiligheidsthermostaat. Deze thermostaat schakelt de compressor uit zodra de binnentemperatuur tot onder +2 °C daalt, om te voorkomen dat medische producten door bevroering worden beschadigd.

5.4 Accu

Dankzij een geïntegreerde accu blijven de regelfuncties bij een stroomuitval nog minstens 12 uur actief.

De accu wordt automatisch opgeladen, als het toestel op het net is aangesloten en wordt ingeschakeld.

Onmiddellijk na inschakelen van het toestel kan de melding „E3” verschijnen. De melding verdwijnt weer zodra de accu is geladen.

Als de capaciteit van de accu voor de regelfuncties niet meer voldoende is, verschijnt de foutmelding „E3” op het display.

**LET OP!**

De accu moet preventief elke 2 jaar worden vervangen. Deze vervanging moet door gekwalificeerd personeel worden uitgevoerd.

5.5 Interne ventilatie

Het toestel is uitgerust met een interne ventilatie.

De ventilator werkt, als de deur gesloten is.

**LET OP!**

De luchtstroom naar de ventilator mag nooit worden onderbroken door blokkeren of afdekken van de ventilatiesleuven.

Om te voorkomen dat onnodig warmte lucht van buiten wordt aangezogen, schakelt de ventilator automatisch uit, als de deur geopend is.

5.6 Externe alarmfunctie

Er zijn twee aansluitingen met twee zwevende contacten aan de achterzijde van het toestel die kunnen worden gebruikt om een aanvullend, extern alarm te activeren (akoestisch of visueel).

6 Installeren en aansluiten van de koelkast

6.1 De koelkast uitpakken

- Controleer of de verpakking niet is beschadigd.
- Verwijder de kartonnen verpakking.
- Controleer of de koelkast niet is beschadigd.
Als de verpakking of de koelkast tijdens transport toch werden beschadigd, onmiddellijk de transportonderneming informeren.

6.2 Vrijstaande versie installeren

Neem bij installatie de volgende instructies in acht:

- Installeer de koelkast zodanig dat de geproduceerde warme lucht eenvoudig omhoog of opzij kan wegstromen.
- Plaats de koelkast op de gekozen plaats.
- Laat de koelkast minstens vier uur staan alvorens deze aan te sluiten op de stroomvoorziening; zo kan het koelmiddel terug naar de compressor stromen.

6.3 Installeren van de inbouwversie



VOORZICHTIG!

Controleer of de kast het totale gewicht van de koelkast en de medische producten erin kan dragen.

Neem bij installatie de volgende instructies in acht:

- Installeer de koelkast zodanig dat de geproduceerde warme lucht eenvoudig (omhoog of naar voren, afb. **3**, pagina 4) kan wegstromen.

Sleutel voor afb. **3**, pagina 4

Nr.	Verklaring
1	Koude inlaatlucht
2	Hete afvoerlucht


- Controleer of de koelkastdeur minstens 100° kan worden geopend. Anders kunnen de lades niet worden gebruikt.
- Controleer de afmetingen van het toestel (afb. **11**, pagina 8 of afb. **12**, pagina 9).
- Plaats het toestel volgens afb. **4**, pagina 5 of afb. **5**, pagina 5.
- Monteer het toestel in de kast met behulp van twee schroeven door de fittingen aan de onderzijde (afb. **6**, pagina 6).
- Laat het toestel minstens vier uur staan alvorens het aan te sluiten op de stroomvoorziening; zo kan het koelmiddel terug naar de compressor stromen.

6.4 De koelkast op de stroomvoorziening aansluiten



LET OP!

- Sluit het toestel aan op een gescheiden kring om problemen met andere elektrische uitrusting te voorkomen. Sluit het toestel nooit met andere elektrische uitrusting middels een multistekker aan op één enkele contactdoos.
- **Alleen GB:** De koelkast wordt van stroom voorzien middels een aansluiting met 3-A-zekering. Als deze zekering moet worden vervangen, moet een 3 A ASTA-gekeurde (BS 1362) zekering worden gebruikt.

- Sluit de stekker van de aansluitkabel weer aan op het net.
- ✓ De groene voedingsled gaat branden (afb. **2**, pagina 4).
- Druk op de toets .
- ✓ Het display wordt ingeschakeld.

De eerste twee seconden toont het display geen temperatuurwaarden, maar „-.-“. Daarna wordt de temperatuurwaarde gemeten door de sensor weergegeven.

6.5 Deurhendel monteren en demonteren

- Monteer de hendel zoals weergegeven (afb. **7**, pagina 6).
- Demonteer de hendel zoals weergegeven (afb. **8**, pagina 7).

6.6 Een extern alarm monteren

Gebruik de zwevende contacten aan de achterzijde van het toestel als volgt:

- De bovenste contacten komen overeen met het alarm voor ontbrekende voeding (afb. **9** 1 en 2, pagina 7).
- De onderste contacten komen overeen met het temperatuuralarm (afb. **9** 3 en 4, pagina 7).

Een spanning tussen 12 V en 250 V kan op de contacten worden aangesloten. De maximum last mag niet hoger zijn dan 8 A. De minimum stroomopname is 100 mA/5 V.



INSTRUCTIE

Het externe alarmsignaal kan alleen worden uitgeschakeld door de oorzaak van het alarm te verwijderen.

7 De koelkast gebruiken



INSTRUCTIE

- Alvorens de nieuwe koelkast voor de eerste keer in te schakelen, moet deze uit hygiënische redenen eerst van binnen en buiten met een vochtige doek worden schoongemaakt (zie de hoofdstuk „Reiniging en onderhoud“ op pagina 80).
- Zorg voor ruimte tussen de medische producten in de koelkast om voldoende ventilatie te garanderen. Als de lades te vol zijn, kunnen onacceptabele temperaturen optreden.
- Houd deze gebruiksinstructies steeds in de buurt van het toestel, zodat alle gebruikers zich kunnen informeren over de functies en veiligheidsregels.

7.1 Tips voor energiebesparing

- Kies een goed geventileerde opstelplaats zonder direct zonlicht.
- Open de koelkast niet vaker dan nodig.
- Laat geen deuren langer dan nodig geopend.
- Ontdooi de koelkast zodra zich een ijslaag heeft gevormd.

7.2 Het toestel inschakelen



VOORZICHTIG!

Bewaar geen medicamenten en medische producten in de koelkast voordat de E6 foutcode verdwenen is en de bedrijfstemperatuur is bereikt.



INSTRUCTIE

De temperatuurwaarden zijn in °C. Dit kan niet worden veranderd.

- Na de eerste keer inschakelen of na een langdurige pauze toont de digitale thermometer (afb. **2**, pagina 4) de actuele omgevingstemperatuur afwisselend met de foutmelding „E6”.
- De alarmled gaat branden, maar er klinkt geen akoestisch alarm.
- Zodra de binnentemperatuur de bedrijfstemperatuur bereikt (2 °C – 8 °C) wordt de actuele temperatuur weergegeven.
- Reset de thermometer om een verkeerde maximale temperatuurwaarde voorkomen.
- Druk gedurende 5 seconden op de toets

7.3 Achtergrondverlichting van display in accumodus

Het thermometerdisplay heeft een blauwe achtergrondverlichting zodat de waarden eenvoudiger kunnen worden afgelezen. De achtergrondverlichting van het display werkt continu terwijl het toestel op het net blijft aangesloten.

In accumodus wordt het display na 2 minuten uitgeschakeld.

- Om de achtergrondverlichting van het display 3 seconden in te schakelen, kort drukken op de toets .

7.4 Temperatuurwaarden

De thermometer slaat de waarden van de minimum en maximum binnentemperaturen sinds de laatste reset op.

Om deze waarden te resetten:

- Druk gedurende 5 seconden op de toets .

7.5 Alarmen



LET OP!

- Als de oorzaak van het alarm niet kan worden verholpen, de medische producten zo snel mogelijk ergens anders opslaan.
- In geval van een stroomuitval stijgt de binnentemperatuur binnen 2 uur (Hold-Over-Time) van 2 °C naar 10 °C, bij een omgevingstemperatuur van 25 °C.

In de volgende vijf gevallen wordt het alarm geactiveerd:

Alarmgebeurtenis	Aantal keer piepen	Piepduur
Temperatuur buiten bereik	1 piep / 5 sec	1 sec
Stroomfout	1 piep / 3 sec	0,5 sec
Interne ventilator is geblokkeerd	n.v.t.	continu piepen
Deur open > 20 sec	1 piep / 2 sec	1 sec
Verbindingsprobleem tussen display en regeling	1 piep / 2 sec	1 sec
Deur open > 60 sec	2 x piep / 2 sec	0,5 sec

Het alarm kan ook stom worden gemaakt:

- Druk op de toets .



INSTRUCTIE

- Als een ander alarm wordt geactiveerd, wordt het alarm automatisch weer luid gemaakt.
- Nadat alle alarmgebeurtenissen zijn behandeld, moet een stom gemaakt alarmsignaal handmatig weer luid worden gemaakt.

7.6 De koelkast ontdooien



INSTRUCTIE

Bij hoge temperaturen moet de koelkast continu koelen; dit kan leiden tot buitengewone ijsvorming op de achterzijde van het koelcompartiment.


Door vocht kan in de koelkast of op de verdamper ijs ontstaan.

Na lange koelperiodes kunnen aan de binnenzijde van de koelkast een dunne laag ijs of waterdruppels ontstaan. Dit is normaal omdat de vocht in de lucht condenseert in water, als de temperatuur in de koelkast daalt. De koelkast is **niet** defect.

Het condensaat stroomt weg door een waterafvoerkanaal aan de achterzijde van het toestel boven op de compressor waar het dan verdampt.


Aanbevolen wordt om de koelkast elke drie weken te ontdooien.

Ga als volgt te werk:

- Uitschakelen van de koelkast: Druk de toets  langer dan 5 seconden in.
- Ontkoppel de koelkast van het stroomnet.
- Verwijder de lades (zie hoofdstuk „Lades uitnemen” op pagina 80).
- Laat de deur open.
- Wis de koelkast na het ontdooien droog met een schone doek.
- Plaats de lades weer.

7.7 De koelkast uitschakelen en opbergen

Ga als volgt te werk, als de koelkast langdurig niet gebruikt gaat worden:

- Uitschakelen van de koelkast: Druk de toets  langer dan 5 seconden in.
- Ontkoppel de koelkast van het stroomnet.
- Reinig de koelkast (zie hoofdstuk „Reiniging en onderhoud” op pagina 80).
- Laat de deur iets open.
Ventilatie voorkomt koelkastgeurtjes.

7.8 Lades uitnemen

De lades kunnen er bijvoorbeeld voor reiniging worden uitgenomen.

Ga als volgt te werk (afb. **10**, pagina 8):

- Open de deur (**A**).
- Neem de lades eruit (**B**).
- Duw de grendelpennen van buiten naar binnen (**C**).
- Neem de lade eruit (**D**).
- Bouw lades in omgekeerde volgorde weer in.

8 Reiniging en onderhoud



WAARSCHUWING!

Scheid de koelkast voor reiniging en onderhoud van het net.



LET OP!

- Gebruik voor het reinigen geen bijtende schoonmaakmiddelen of harde voorwerpen, de koelkast zou hierdoor beschadigd kunnen raken.
- Gebruik nooit hard of spits gereedschap voor het verwijderen van ijslagen of het losmaken van vastgevroren voorwerpen.
- Gebruik geen mechanische of andere hulpmiddelen om het ontdooien te versnellen.

- Reinig de koelkast regelmatig en als hij vuil is met een vochtige doek.
- Let erop dat er geen water in de afdichtingen druppelt. Dit kan de elektronica beschadigen.
- Wis de koelkast na de reiniging droog met een doek.
- Controleer de dooiwaterafvoer regelmatig.
Reinig de dooiwaterafvoer indien nodig. Als deze verstopt is, blijft het dooiwater achter op de bodem van de koelkast.
- Reinig de deurverzegelingen regelmatig.
- **Vrijstaande versie:** Reinig het rooster van de condensor en de compressor aan de achterzijde van het toestel regelmatig met een stofzuiger.

9 Verhelpen van storingen

Water in of onder de koelkast

Storing	Mogelijke oorzaak	Oplossing
Water lekt in de koelkast.	Het condensaatafvoerkanaal is verstopt.	Reinig de afvoer.
	Medicijnen hinderen het water naar de verzamelaar te stromen.	Voorkom dat medicijnen contact met de wand maken.
Water lekt op de vloer.	Er bevindt zich te veel water in de watercontainer.	Reinig de watercontainer.

Foutmeldingen op het display

Foutcode	Verklaring
E0	Display/regelcommunicatie mislukt
E1	NTC1 kortsluiting of open verbinding
E2	NTC2 kortsluiting of open verbinding
E3	Accu niet aangesloten of niet in orde
E4	Ventilator werkt niet
E5	Deur langer dan 60 seconden open
E6	Temperatuur buitenbereik (lager 2 °C of hoger 8 °C)
E7	Netvoeding niet aangesloten
E8	Te groot verschil tussen NTC1 en NTC2 waarden

10 Garantie

De wettelijke garantieperiode is van toepassing. Als het product defect is, wendt u zich tot het filiaal van de fabrikant in uw land (adressen zie achterkant van de handleiding) of tot uw speciaalzaak.

Voor de afhandeling van de reparatie of garantie dient u de volgende documenten mee te sturen:

- een kopie van de factuur met datum van aankoop,
- reden van de klacht of een beschrijving van de storing.

11 Afvoer



WAARSCHUWING! Gevaar voor kinderen!

Alvorens uw oude koelkast af te voeren:

- Neem de lades uit elkaar.
- Laat de lades dan in de koelkast om te voorkomen dat kinderen erin klimmen.



LET OP!


In het toestel bevindt zich isolatiegas (zie typeplaatje). Raadpleeg de desbetreffende plaatselijke autoriteiten of een afvalverwerkend bedrijf over correcte afvoer. Zorg ervoor dat het toestel en alle materialen professioneel worden afgevoerd.

- Laat het verpakkingsmateriaal indien mogelijk recycleren.



Als u het product definitief buiten bedrijf stelt, informeer dan bij het dichtstbijzijnde recyclingcentrum of uw speciaalzaak naar de betreffende afvoervorschriften.

12 Technische gegevens

	HC302D	HC502D
Bruto inhoud:	33 l	49 l
Capaciteit:	22 l	35 l
Aansluitspanning:	220 – 240 V~	
Energieverbruik:	0,381 kWh/24 h	0,423 kWh/24 h
Stroomgebruik:	0,54 A	
Koelvermogen:	+2 °C tot +8 °C	
Werkbereik:	+10 °C tot +35 °C	
Hold-Over-Time (2 °C naar 10 °C) bij 25 °C:	2 uur	
Koelmiddel:	R134a	
Koelmiddelhoeveelheid:	38 g	
CO ₂ -equivalent:	0,054 t	
Aardopwarmingsvermogen (GWP):	1430	
Afmetingen:	zie afb. 11 , pagina 8	zie afb. 12 , pagina 9
Gewicht:	ca. 20 kg	ca. 22 kg
Inspectie/certificering:		

Bevat gefluoreerde broeikasgassen

Hermetisch afgesloten apparatuur

Voldoet aan de volgende EG-richtlijnen:

- LVD-richtlijn: 2006/95/EC
- EMC-richtlijn: 2004/108/EC
- CE-richtlijn: 93/68/EC
- RoHS-richtlijn: 2002/95/EC
- WEEE-richtlijn: 2002/96/EC
- Richtlijn DIN 58345: 2007-09

GERMANY**Dometic WAECO International GmbH**

Hollefeldstraße 63 · D-48282 Emsdetten
 ☎ +49 (0) 2572 879-195 · 📠 +49 (0) 2572 879-322
 Mail: info@dometic-waeco.de

dometic.com**AUSTRALIA****Dometic Australia Pty. Ltd.**

1 John Duncan Court
 Varsity Lakes QLD 4227
 ☎ 1800 212121
 📠 +61 7 55076001
 Mail: sales@dometic.com.au

AUSTRIA**Dometic Austria GmbH**

Neudorferstraße 108
 A-2353 Guntramsdorf
 ☎ +43 2236 908070
 📠 +43 2236 90807060
 Mail: info@dometic.at

BENELUX**Dometic Branch Office Belgium**

Zincstraat 3
 B-1500 Halle
 ☎ +32 2 3598040
 📠 +32 2 3598050
 Mail: info@dometic.be

BRAZIL**Dometic DO Brasil LTDA**

Avenida Paulista 1754, conj. 111
 SP 01310-920 Sao Paulo
 ☎ +55 11 3251 3352
 📠 +55 11 3251 3362
 Mail: info@dometic.com.br

DENMARK**Dometic Denmark A/S**

Nordensvej 15, Taulov
 DK-7000 Fredericia
 ☎ +45 75585966
 📠 +45 75586307
 Mail: info@dometic.dk

FINLAND**Dometic Finland OY**

Mestariitie 4
 FIN-01730 Vantaa
 ☎ +358 20 7413220
 📠 +358 9 7593700
 Mail: info@dometic.fi

FRANCE**Dometic SAS**

ZA du Pré de la Dame Jeanne
 B.P. 5
 F-60128 Pleilly
 ☎ +33 3 44633525
 📠 +33 3 44633518
 Mail: vehiculesdeloisirs@dometic.fr

HONG KONG**Dometic Group Asia Pacific**

Suites 2207-11 / 22/F - Tower 1
 The Gateway - 25 Canton Road,
 Tsim Sha Tsui - Kowloon
 ☎ +852 2 4611386
 📠 +852 2 4665553
 Mail: info@waeco.com.hk

HUNGARY**Dometic Zrt. Sales Office**

Kerekgyártó u. 5.
 H-1147 Budapest
 ☎ +36 1 468 4400
 📠 +36 1 468 4401
 Mail: budapest@dometic.hu

ITALY**Dometic Italy S.r.l.**

Via Virgilio, 3
 I-47122 Forlì (FC)
 ☎ +39 0543 754901
 📠 +39 0543 754983
 Mail: vendite@dometic.it

JAPAN**Dometic KK**

Maekawa-Shibaura, Bldg. 2
 2-13-9 Shibaura Minato-ku
 Tokyo 108-0023
 ☎ +81 3 5445 3333
 📠 +81 3 5445 3339
 Mail: info@dometic.jp

MEXICO**Dometic Mx, S. de R. L. de C. V.**

Circuito Médicos No. 6 Local 1
 Colonia Ciudad Satélite
 CP 53100 Naucalpan de Juárez
 Estado de México
 ☎ +52 55 5374 4108
 📠 +52 55 5393 4683
 Mail: info@dometic.com.mx

NETHERLANDS**Dometic Benelux B.V.**

Ecustraet 3
 NL-4879 NP Etten-Leur
 ☎ +31 76 5029000
 📠 +31 76 5029019
 Mail: info@dometic.nl

NEW ZEALAND**Dometic New Zealand Ltd.**

PO Box 12011
 Penrose
 Auckland 1642
 ☎ +64 9 622 1490
 📠 +64 9 622 1573
 Mail: customerservices@dometic.co.nz

NORWAY**Dometic Norway AS**

Østerøyveien 46
 N-3232 Sandefjord
 ☎ +47 33428450
 📠 +47 33428459
 Mail: firmapost@dometic.no

POLAND**Dometic Poland Sp. z o.o.**

Ul. Puławska 435A
 PL-02-801 Warszawa
 ☎ +48 22 414 3200
 📠 +48 22 414 3201
 Mail: info@dometic.pl

PORTUGAL**Dometic Spain, S.L.**

Branch Office em Portugal
 Rot. de São Gonçalo nº 1 – Esc. 12
 2775-399 Carcavelos
 ☎ +351 219 244 173
 📠 +351 219 243 206
 Mail: info@dometic.pt

RUSSIA**Dometic RUS LLC**

Komsomolskaya square 6-1
 RU-107140 Moscow
 ☎ +7 495 780 79 39
 📠 +7 495 916 56 53
 Mail: info@dometic.ru

SINGAPORE**Dometic Pte Ltd**

18 Boon Lay Way 06-140 Trade Hub 21
 Singapore 609966
 ☎ +65 6795 3177
 📠 +65 6862 6620
 Mail: dometic@dometic.com.sg

SLOVAKIA**Dometic Slovakia s.r.o. Sales Office Bratislava**

Nádražná 34/A
 900 28 Ivanka pri Dunaji
 ☎/📠 +421 2 45 529 680
 Mail: bratislava@dometic.com

SOUTH AFRICA**Dometic (Pty) Ltd.****Regional Office****South Africa & Sub-Saharan Africa**

2 Avalon Road
 West Lake View Ext 11
 Modderfontein 1645
 Johannesburg
 ☎ +27 11 4504978
 📠 +27 11 4504976
 Mail: info@dometic.co.za

SPAIN**Dometic Spain S.L.**

Avda. Sierra del Guadarrama, 16
 E-28691 Villanueva de la Cañada
 Madrid
 ☎ +34 91 833 60 89
 📠 +34 900 100 245
 Mail: info@dometic.es

SWEDEN**Dometic Scandinavia AB**

Gustaf Melins gata 7
 S-42131 Västra Frölunda
 ☎ +46 31 7341100
 📠 +46 31 7341101
 Mail: info@dometicgroup.se

SWITZERLAND**Dometic Switzerland AG**

Riedackerstrasse 7a
 CH-8153 Rümlang
 ☎ +41 44 8187171
 📠 +41 44 8187191
 Mail: info@dometic.ch

UNITED ARAB EMIRATES**Dometic Middle East FZCO**

P. O. Box 17860
 S-D 6, Jebel Ali Freezone
 Dubai
 ☎ +971 4 883 3858
 📠 +971 4 883 3868
 Mail: info@dometic.ae

UNITED KINGDOM**Dometic UK Ltd.**

Dometic House, The Brewery
 Blandford St. Mary
 Dorset DT11 9LS
 ☎ +44 344 626 0133
 📠 +44 344 626 0143
 Mail: customerservices@dometic.co.uk

USA**Dometic RV Division**

1120 North Main Street
 Elkhart, IN 46515
 ☎ +1 574-264-2131